

Mobile Wash Station

The Culinaire® Mobile wash Station from Stoddart Manufacturing is the culmination of years of experience in manufacturing and supplying Convention and Stadium Centres throughout Australia.

The Product is designed to be easy to operate and maintain and attention to detail is focused on providing optimum hygiene and safety.

Models:

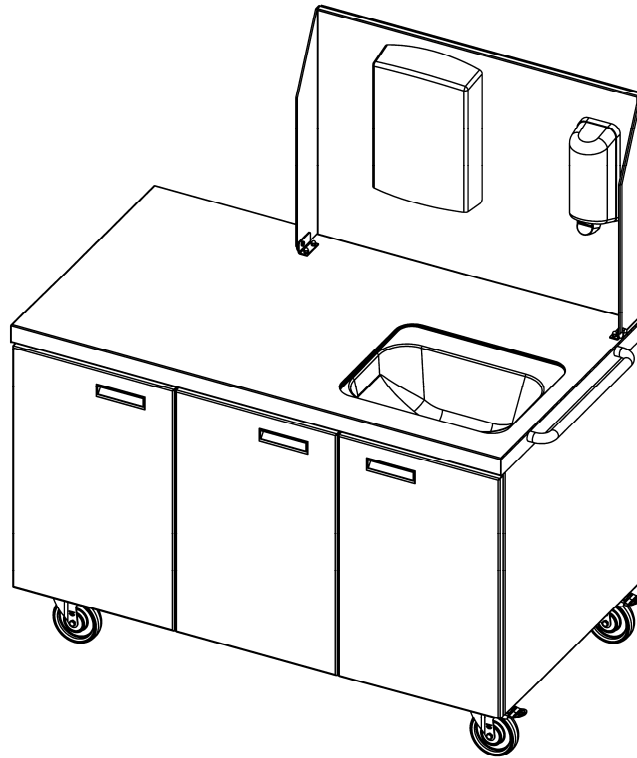
SPMP-WSH-xxxx-yyyy

Where:

SPMP = Standard Product Mobile Product
WSH = Wash Station
xxxx = length
yyyy = Width

e.g.: for specification and ordering

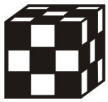
Culinaire Model SPMP-WSH-1370-760



Features and Benefits:

- Stainless Steel 304 No 4 modular construction throughout unit.
- Fully welded stainless steel bench top and basin.
- Instant tempered water available through on board heating system.
- Large 125mm non marking castors for ease of mobility.
- Ezy-push timed flow tap for convenient hand wash operation
- Self priming pump from easy fill 20lt storage tank and onboard drainage tank.
- Fold down splash back with integral soap and towel dispensers
- 15 amp flexi cord supplied with its own location socket for mobility.
- Stainless steel push handle
- Storage cupboard under complete with fixed shelf

Due to continuous product research and development, the information contained herein is subject to change without notification.



Mobile Wash Station

Models:

SPMP-WSH-xxxx-yyyy

Where:

SPMP = Standard Product Mobile Product

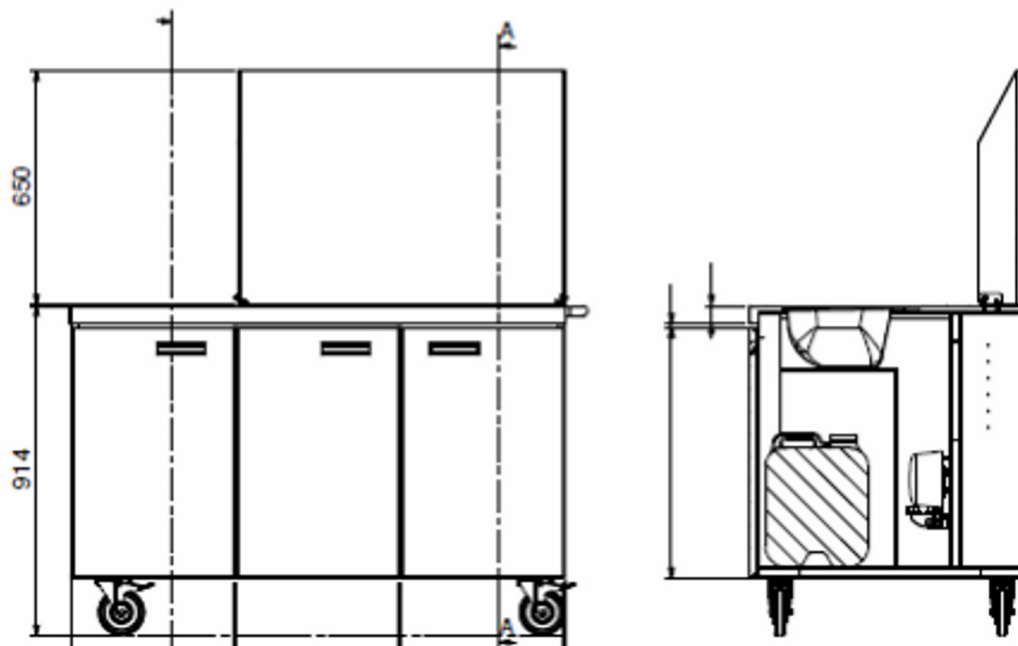
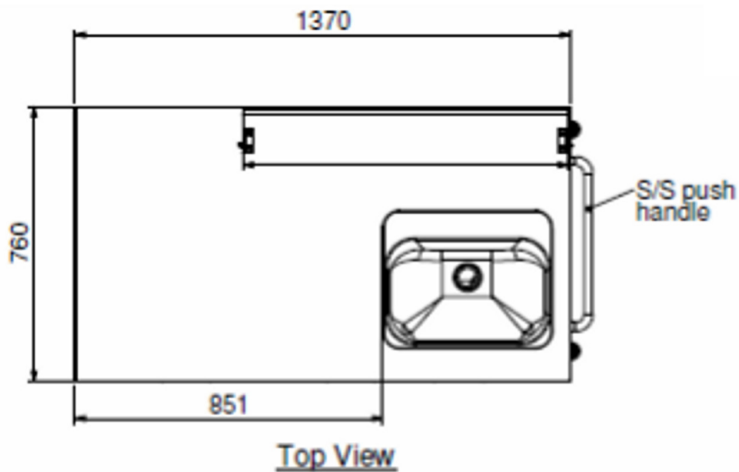
WSH = Wash Station

xxxx = length

yyyy = Width

e.g.: for specification and ordering

Culinaire Model SPMP-WSH-1370-760



Due to continuous product research and development, the information contained herein is subject to change without notification.