

Chip Dump

The Culinaire Chip Dump is essential for high throughput commercial deep frying kitchens. It provides a heated contained area for dumping the hot chips from the fryer baskets.

The Chip dump pans are either 1/1 or 2/1 150mm deep gastronorm pots with sloping perforated insert trays to allow excess oil to drip free from the chips for keeping chips dry & crisp.

Chip cups or packets are held in 1/1 gastronorm pots with cup holding templates for easy filling from the dump. Any chips that miss the cups are swept back into the dump.

Models:

SPHE.CD.X.W

Where:

SPHE = Standard Product Heated

CD = Chip Dump

X M = Mobile

L = Leg mounted

C = Counter mounted

W= 4 module Wide

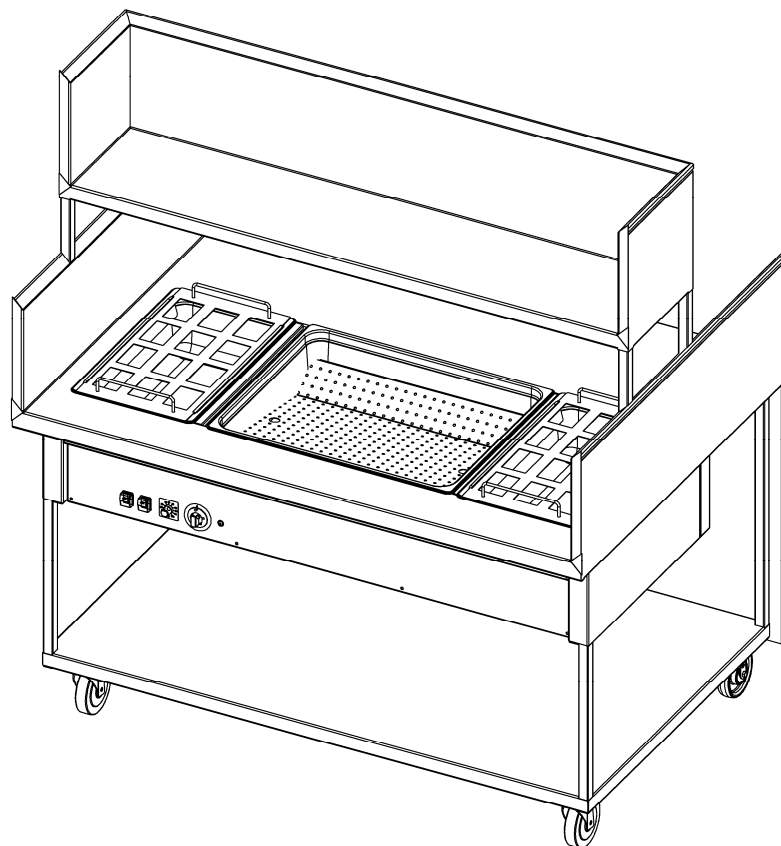
5 module wide

6 module wide

7 module wide

8 module wide

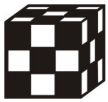
e.g.: SPHE.CD.M.4



Features and Benefits:

- Manufactured from 1.2mm thick No. 4 finish 304 grade stainless steel.
- Chip dump pans are either 1/1 or 2/1 150mm deep gastronorm pots with sloping perforated insert trays.
- Chip cups or packets are held in 1/1 gastronorm pots with cup holding templates.
- The unit comes with an over-shelf for holding salt and empty chip cups.
- Available on lockable castors, legs or configured for counter top mounting.
- The units are available in multiples 4 – 8 gastronorm module lengths.

Due to continuous product research and development, the information contained herein is subject to change without notification.



Chip Dump

The Culinaire Chip Dump must be hard wired without ELCB.
Unit is supplied with Quartz Infrared Heat lamps

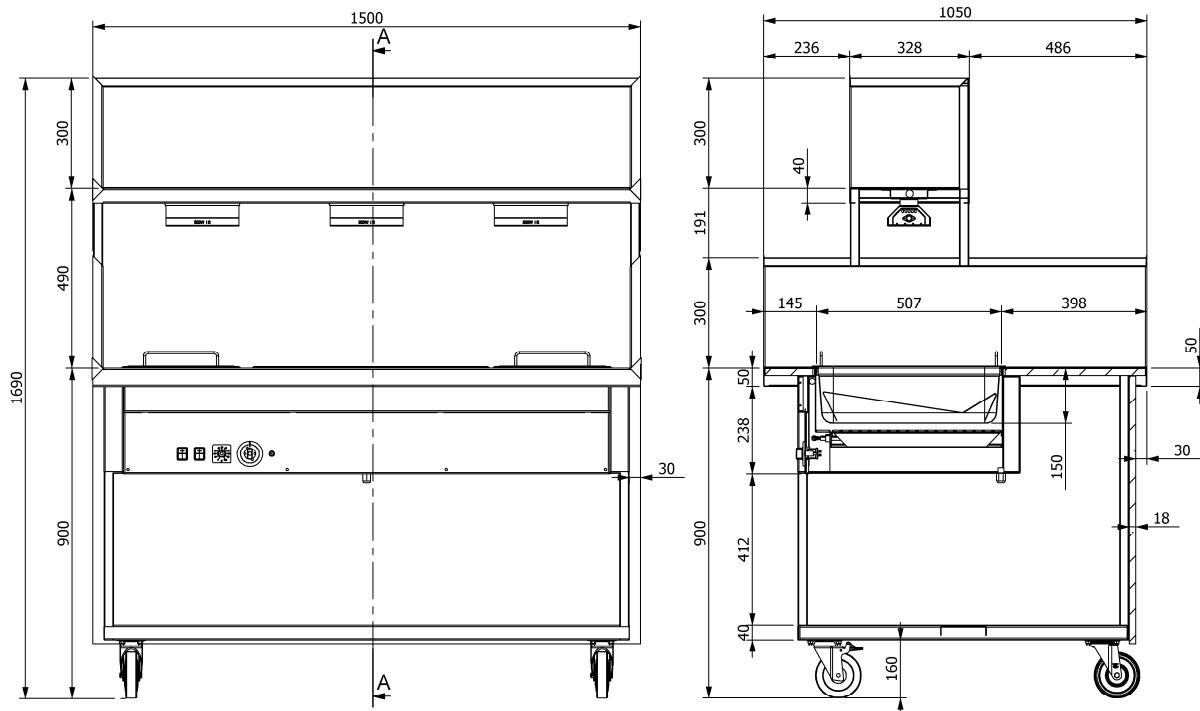
Models:

SPHE.CD.X.W

Where:

- SPHE = Standard Product Heated
- CD = Chip Dump
- X = M = Mobile
L = Leg mounted
C = Counter mounted
- W = 4 module Wide
5 module wide
6 module wide
7 module wide
8 module wide

e.g.: SPHE.CD.M.4



Equipment Data				
Model	Length (mm)	300W Lights	400W Elements	Total Electrical Load (Watts)
SPHE.CD.M.4	1500 mm	3 x 300W	4 x 400W	2500W
SPHE.CD.M.5	1840 mm	4 x 300W	5 x 400W	3200W
SPHE.CD.M.6	2180 mm	5 x 300W	6 x 400W	4600W
SPHE.CD.M.7	2520 mm	6 x 300W	7 x 400W	7300W
SPHE.CD.M.8	2860 mm	7 x 300W	8 x 400W	5300W

Due to continuous product research and development, the information contained herein is subject to change without notification.