

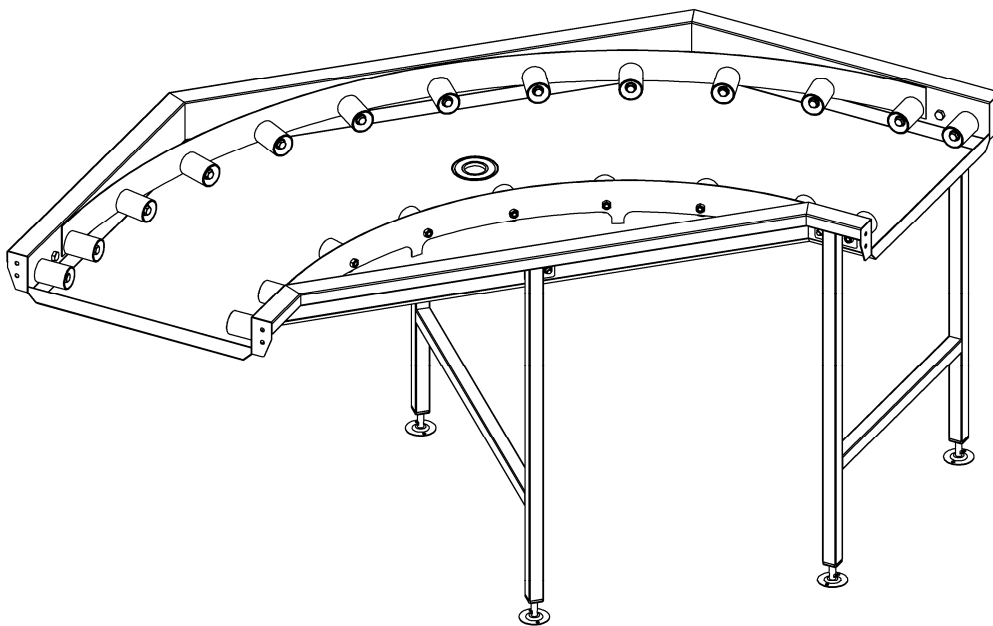
Outlet Conveyor-Gravity Roller 90 Deg.

The non-powered conveyor is an entry-level product that when coupled to a rack type dishwasher makes the collection of clean dishes in baskets easier and quicker. The product is the culmination of years of experience in manufacturing and supplying dish handling and washing systems to Australian hospitals and other large Institutional customers. The system is the cleanest and easiest to operate, requiring no maintenance.

Model:**SPDH.OC.GR.C90**

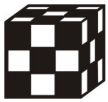
Code Explanation

SPDH	Standard Product Dish Handling
OC	Outlet Conveyor
GR	Gravity Roller
C90	Corner-90 degree Non Powered

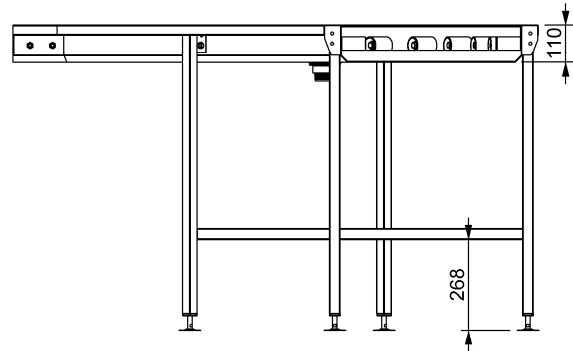
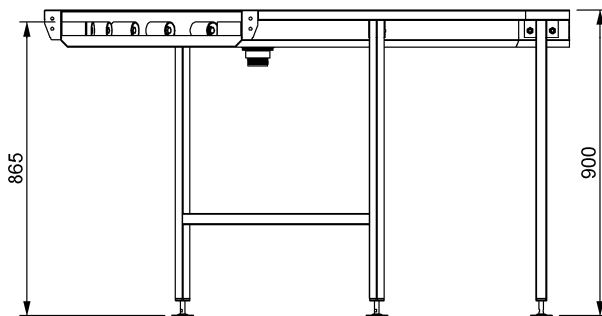
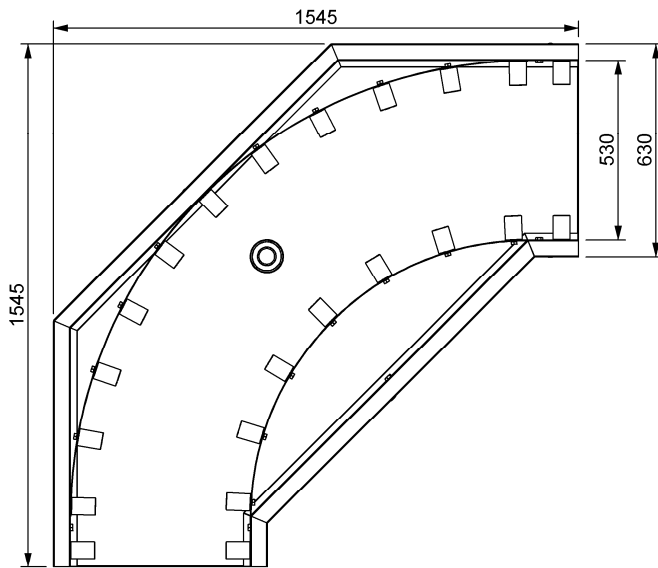
**Features and Benefits:**

- Stainless Steel 304 No4 1.5mm trough.
- A 45 degree internal corner to stainless steel trough to ensure bacteria does not grow in sharp corners. Easy to clean.
- Black poly non powered rollers.
- 32x32 stainless steel legs and frame with adjustable feet.

Due to continuous product research and development, the information contained herein is subject to change without notification.



Outlet Conveyor-Gravity Roller 90 Deg.



Waste Connection 50mm

Due to continuous product research and development, the information contained herein is subject to change without notification.