

Inlet Cord Conveyor – Corner-90

The Culinaire® cord inlet conveyor from Stoddart Manufacturing is the culmination of years of experience in manufacturing and supplying stripping systems to Australian hospitals and other large institutional customers.

The system is the cleanest and to easiest to operate, requiring minimal maintenance.

Models:

SPDH.IC.C.S.C90

Where:

SPDH = Standard Product Dish Handling

IC = Inlet Conveyor

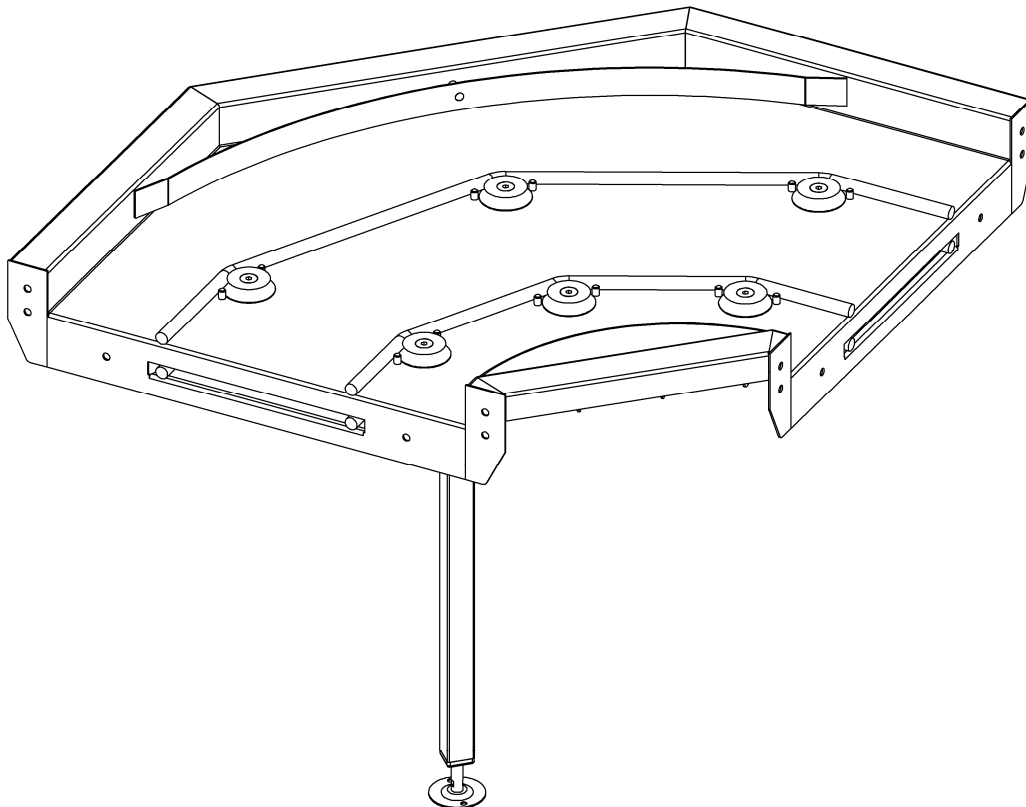
C = Cord

S = Stripping

C90 = Corner 90

e.g.: for specification and ordering

Culinaire Model SPDH.IC.C.S.C90



Features and Benefits:

- Stainless Steel 304 No 4 construction throughout complete unit. 32x32 stainless steel legs and frame with adjustable feet.
- HMW Polly guide and return rollers with stainless steel fittings.
- Large industrial red mushroom head safety stop button and green 22mm diameter industrial start button at each operator location.
- The 15mm diameter cord conveyor belt is joined using an extremely strong welded connection
- The large diameter cord creates more space below the basket or trays, allowing the operators fingers to easily fit under the tray when lifting it off the conveyor.
- The unit is tested to Australian Std AS3760 and manufactured in accordance with AS/NZS 60635.1

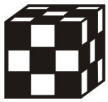
Due to continuous product research and development, the information contained herein is subject to change without notification.

Stoddart Manufacturing

Tom Stoddart Pty Ltd. ABN 16 009690251
149 Jackson Road, Sunnybank Hills, Qld

Tel +61 7 33455011
Fax +61 7 33441000
Email: sales@stoddart.com.au
Web: www.stoddart.com.au

Printed date 23/06/2009
Revision Date 23/06/09



Inlet Cord Conveyor – Corner-90

Models:

SPDH.IC.C.S.C90

Where:

SPDH = Standard Product Dish Handling

IC = Inlet Conveyor

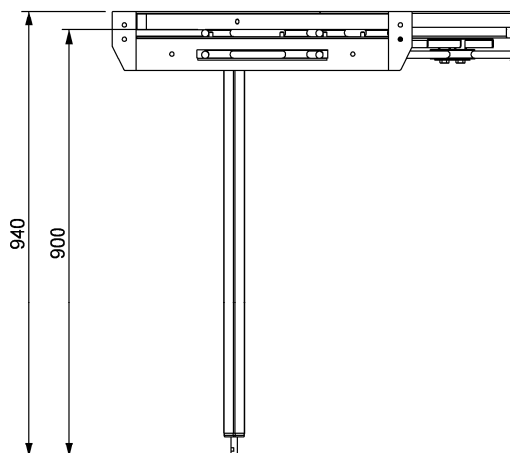
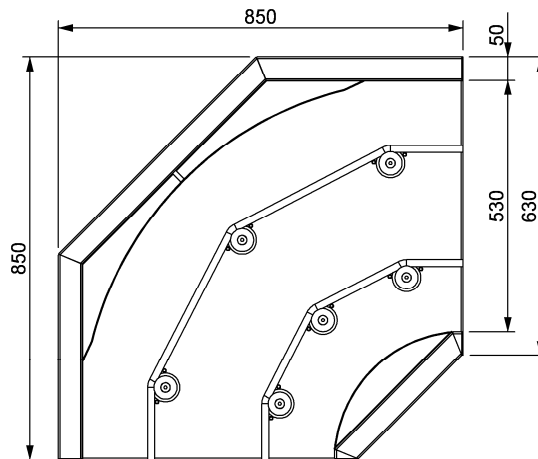
C = Cord

S = Stripping

C90 = Corner 90

e.g.: for specification and ordering

Culinaire Model SPDH.IC.C.S.C90



Due to continuous product research and development, the information contained herein is subject to change without notification.

Stoddart Manufacturing

Tom Stoddart Pty Ltd. ABN 16 009690251
149 Jackson Road, Sunnybank Hills, Qld

Tel +61 7 33455011
Fax +61 7 33441000
Email: sales@stoddart.com.au
Web: www.stoddart.com.au

Printed date 23/06/2009
Revision Date 23/06/09