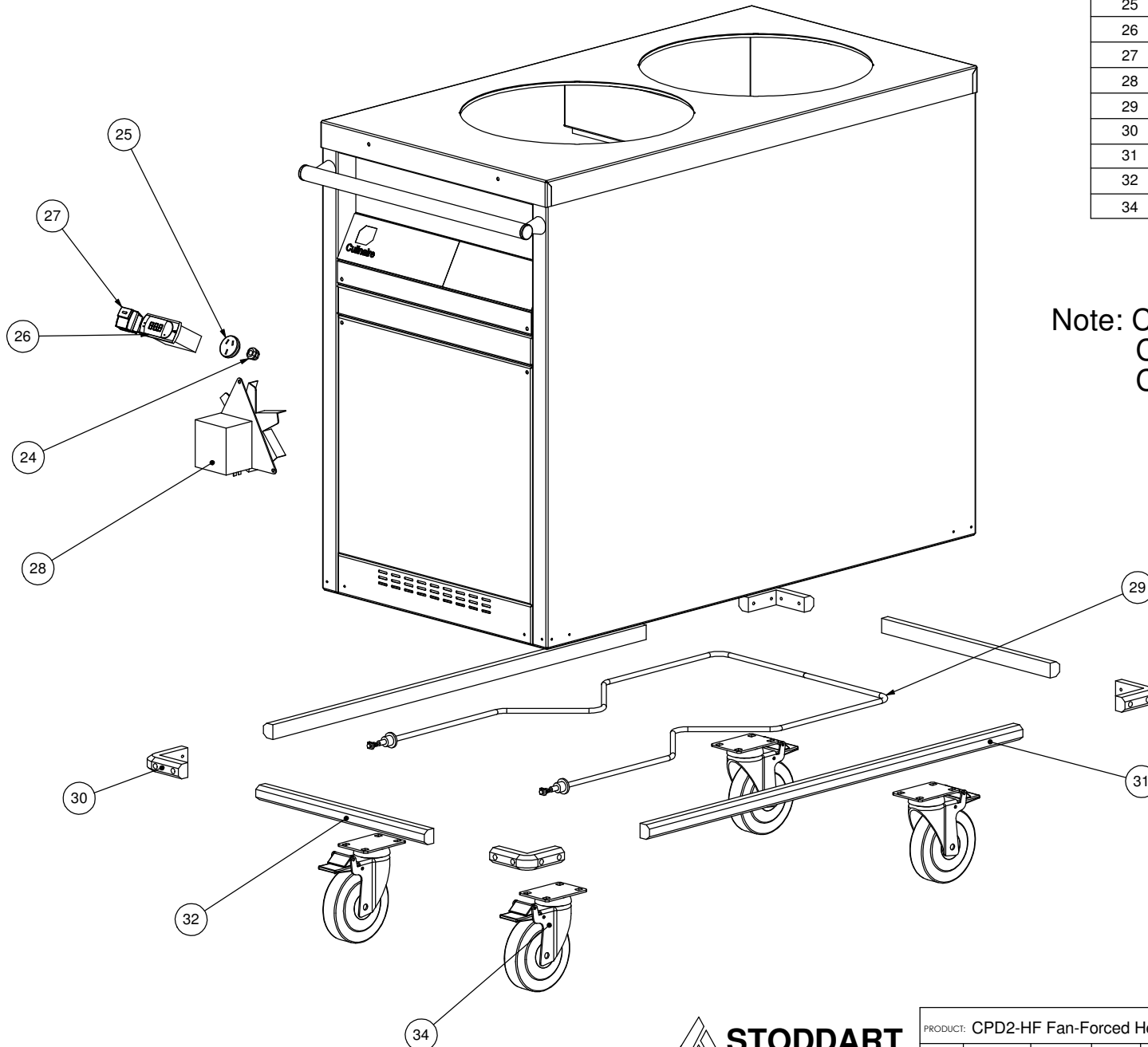


ITEM NO.	PART NUMBER	DESCRIPTION	Spare Parts/QTY.
24	CMEL-0075	Cord Grip 1.5mm	1
25	CMEL-0411	Socket Outlet 10A	1
26	CMEL-0934	Carel Controller PYEZONM011	1
27	CMEL-0668	Sonar Switch	1
28	CMEL-0731	Oven Fan (R2K150-AC-03-25)	1
29	CMEL-0757	2000w Element	1
30	CMGE-0020	Bumper Corner Interface	4
31	CMGE-0024	Bumper & Ali Channel - 867mm	2
32	CMGE-0024	Bumper & Ali Channel - 391mm	2
34	CMGE-0258	Castor;125mm;Swivel Plate;Total Brake	4



Note: CPD2-HF is as shown  
 CPD2-HS has no Fan  
 CPD2-A has no Fan or Heating Element

Press:	Programmed by:	Date:	Punch:	Die:
--------	----------------	-------	--------	------

PRODUCT: CPD2-HF Fan-Forced Heated Plate Dispenser				PART No: <b>CPD2-a001</b>	
NAME	SIGNATURE	DATE	UNLESS OTHERWISE SPECIFIED: DIMENSIONS ARE IN MILLIMETERS	DESCRIPTION: Spare Parts	
DRAWN D Bowden		30/05/2008		DWG No: CPD2 d001	
APPVD			MATERIAL:	REVISION	
			THICKNESS:	B	
			FINISH:	Sheet 3 of 28	
DO NOT SCALE DRAWING			This drawing remains the property of Tom Stoddart Pty Ltd & cannot be reproduced without prior permission.		

**STODDART**  
 METAL FABRICATORS  
 TOM STODDART Pty Ltd ACN 009 690 251  
 215 Jackson Rd Sunnybank Hills Qld 4109  
 PO Box 420 Sunnybank Qld 4109  
 Phone (617) 3345 5011 Fax (617) 3344 1000  
 Email sunnybank@stoddart.com.au  
*Quality in stainless steel*

REV.	NAME	DATE	DESCRIPTION
B	M Sheehan	26/03/2008	Dixell controller replaced by Carel