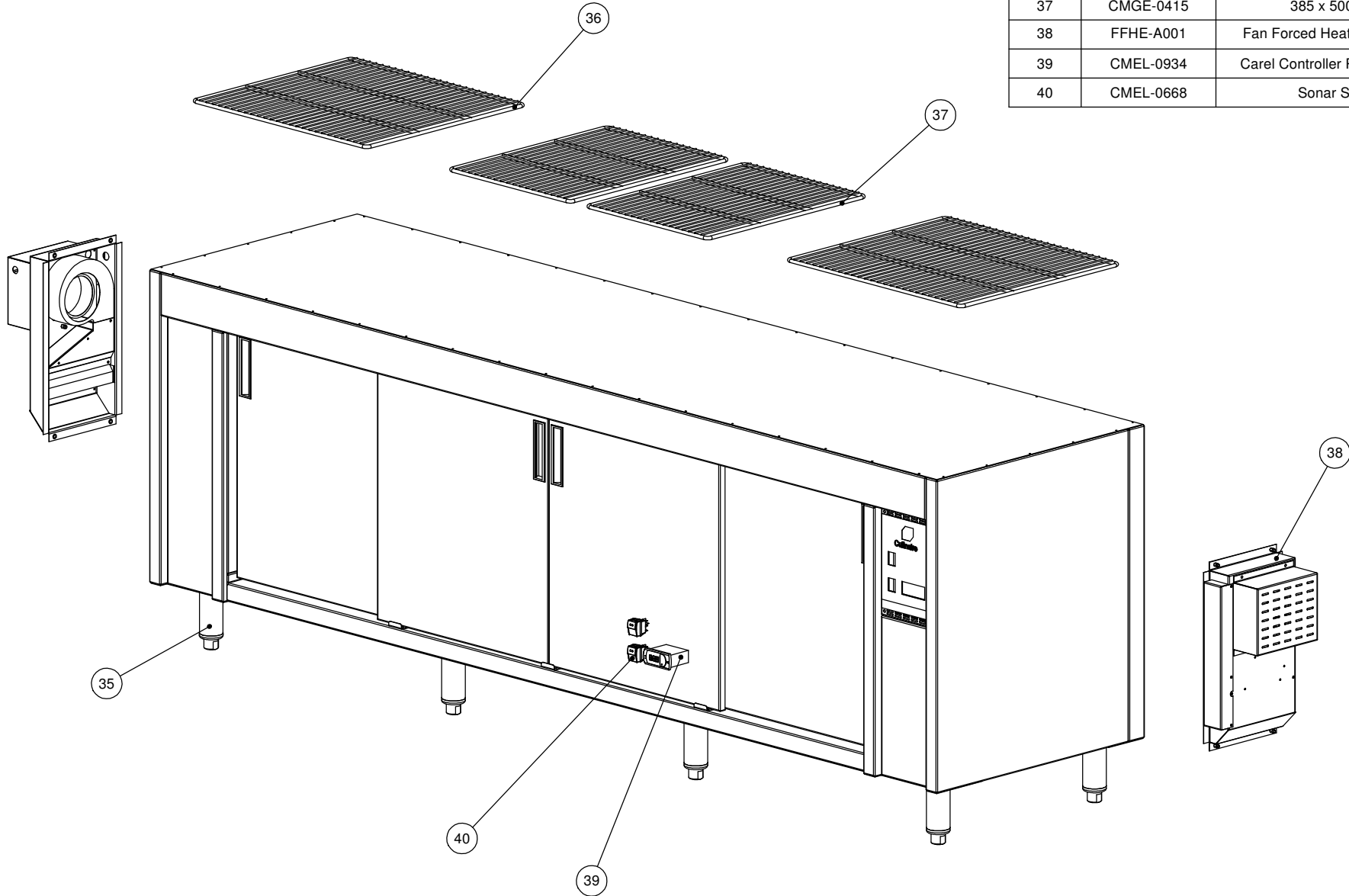


ITEM NO.	PART NUMBER	DESCRIPTION	Spare Parts/QTY.
35	CMGE- 0156	Adj Foot; 150 High; 50 Dia; with plate	8
36	CMGE-0416	550 x 500 Shelf	2
37	CMGE-0415	385 x 500 Shelf	2
38	FFHE-A001	Fan Forced Heating Enclosure	2
39	CMEL-0934	Carel Controller PYEZONM011	1
40	CMEL-0668	Sonar Switch	2



Press:	Programmed by:	Date:	Punch:	Die:
--------	----------------	-------	--------	------

STODDART
METAL FABRICATORS
TOM STODDART Pty Ltd ACN 009 690 251
215 Jackson Rd Sunnybank Hills Qld 4109
PO Box 420 Sunnybank Qld 4109
Phone (617) 3345 5011 Fax (617) 3344 1000
Email sunnybank@stoddart.com.au
Quality in stainless steel

PRODUCT: 7 Mod Undercounter Hotcupboard				PART No: CHC7-U-A001	
NAME	SIGNATURE	DATE	UNLESS OTHERWISE SPECIFIED: DIMENSIONS ARE IN MILLIMETERS	DESCRIPTION: Spare Parts	
DRAWN N Wooler		30/05/2008			
APPV'D			MATERIAL:	DWG No: CHC7-U-D001	
			THICKNESS:	REVISION	
			FINISH:	B	
DO NOT SCALE DRAWING	This drawing remains the property of Tom Stoddart Pty Ltd & cannot be reproduced without prior permission.			A3	Sheet 3 of 42

REV.	NAME	DATE	DESCRIPTION
B	M Sheehan	31/03/2008	Dixell controller replaced by Carel