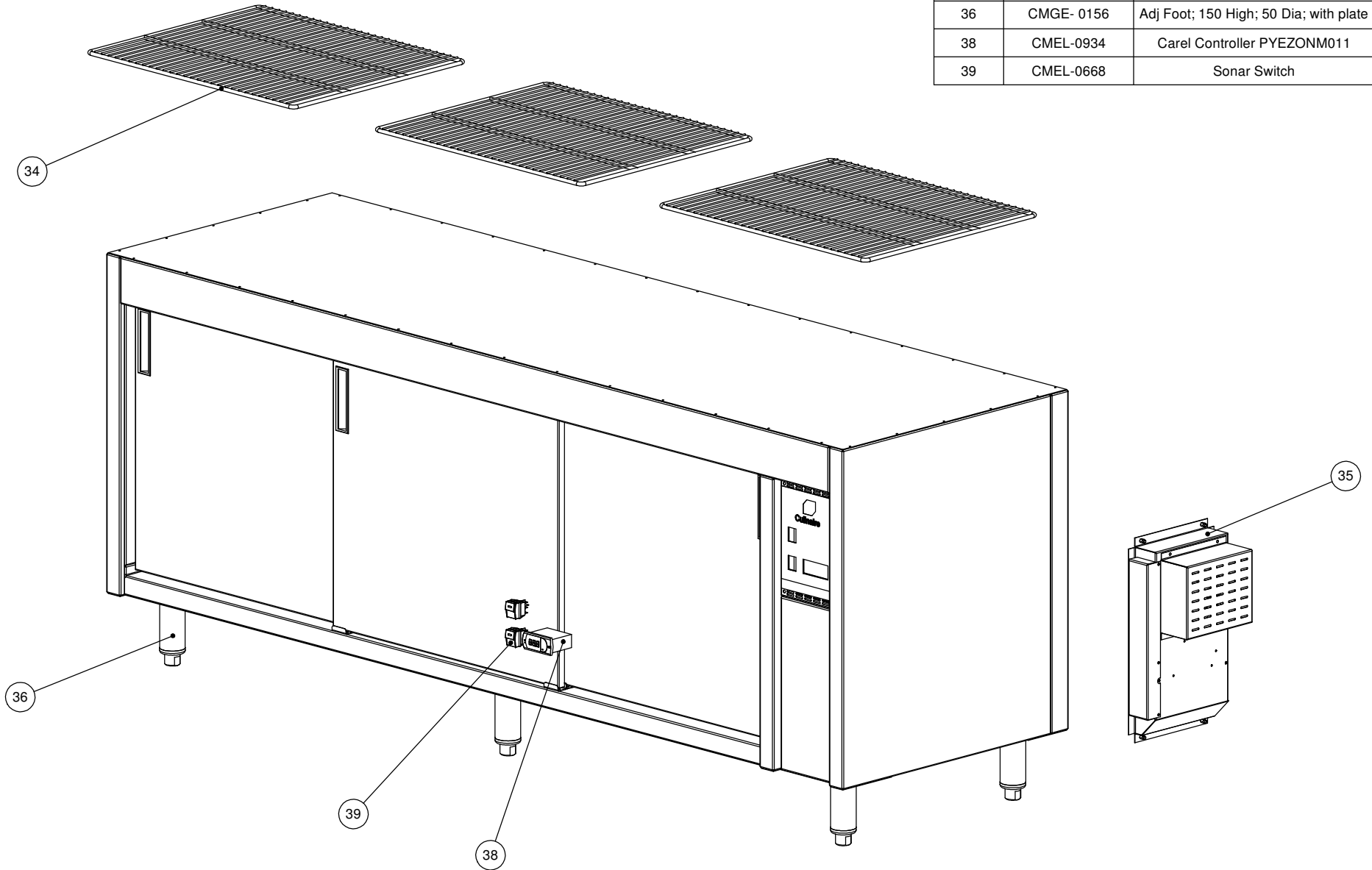


ITEM NO.	PART NUMBER	DESCRIPTION	Spare Parts/QTY.
34	CMGE-0417	600 x 500 Shelf	3
35	FFHE-A001	Fan Forced Heating Enclosure	1
36	CMGE- 0156	Adj Foot; 150 High; 50 Dia; with plate	6
38	CMEL-0934	Carel Controller PYEZONM011	1
39	CMEL-0668	Sonar Switch	2



Press:	Programmed by:	Date:	Punch:	Die:
--------	----------------	-------	--------	------

**STODDART**  
**METAL FABRICATORS**  
 TOM STODDART Pty Ltd ACN 009 690 251  
 215 Jackson Rd Sunnybank Hills Qld 4109  
 PO Box 420 Sunnybank Qld 4109  
 Phone (617) 3345 5011 Fax (617) 3344 1000  
 Email sunnybank@stoddart.com.au  
*Quality in stainless steel*

PRODUCT: 6 Mod Undercounter Hotcupboard				PART No: <b>CHC6-U-A001</b>	
NAME	SIGNATURE	DATE	UNLESS OTHERWISE SPECIFIED: DIMENSIONS ARE IN MILLIMETERS	DESCRIPTION: Spare Parts	
DRAWN N Wooler		30/05/2008			
APPV'D			MATERIAL:	DWG No: CHC6-U-D001	
			THICKNESS:	REVISION	
			FINISH:	B	
DO NOT SCALE DRAWING			This drawing remains the property of Tom Stoddart Pty Ltd & cannot be reproduced without prior permission.		

REV.	NAME	DATE	DESCRIPTION
B	M Sheehan	25/03/2008	Dixell controller replaced by Carel