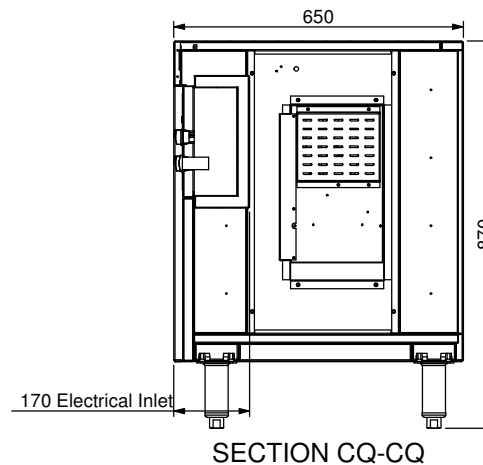
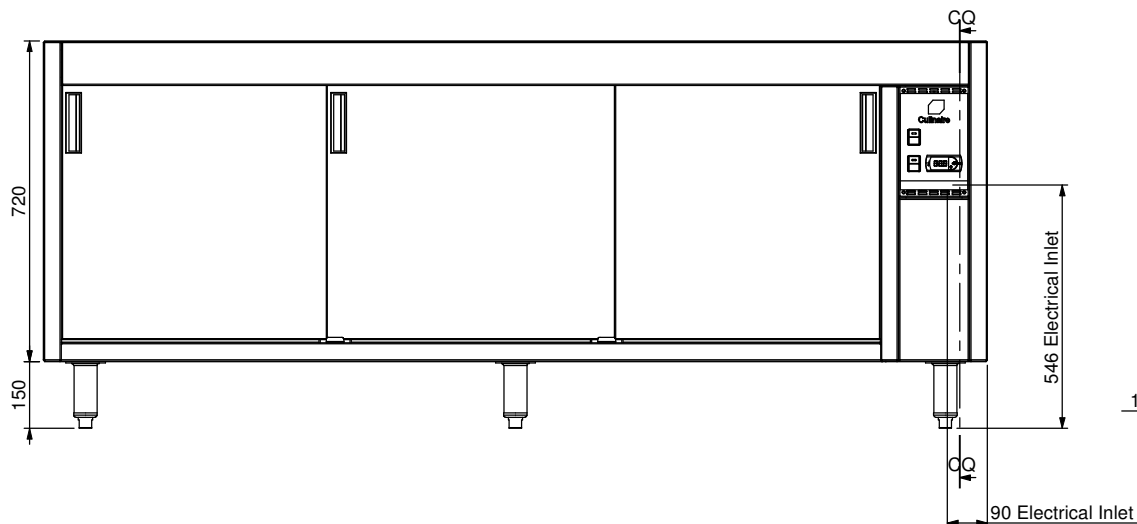
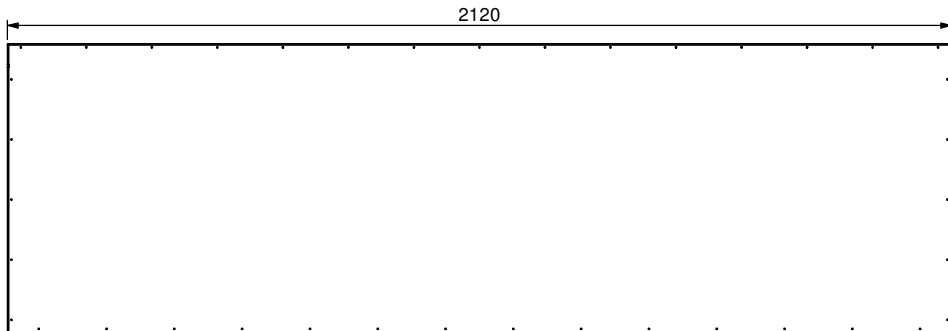
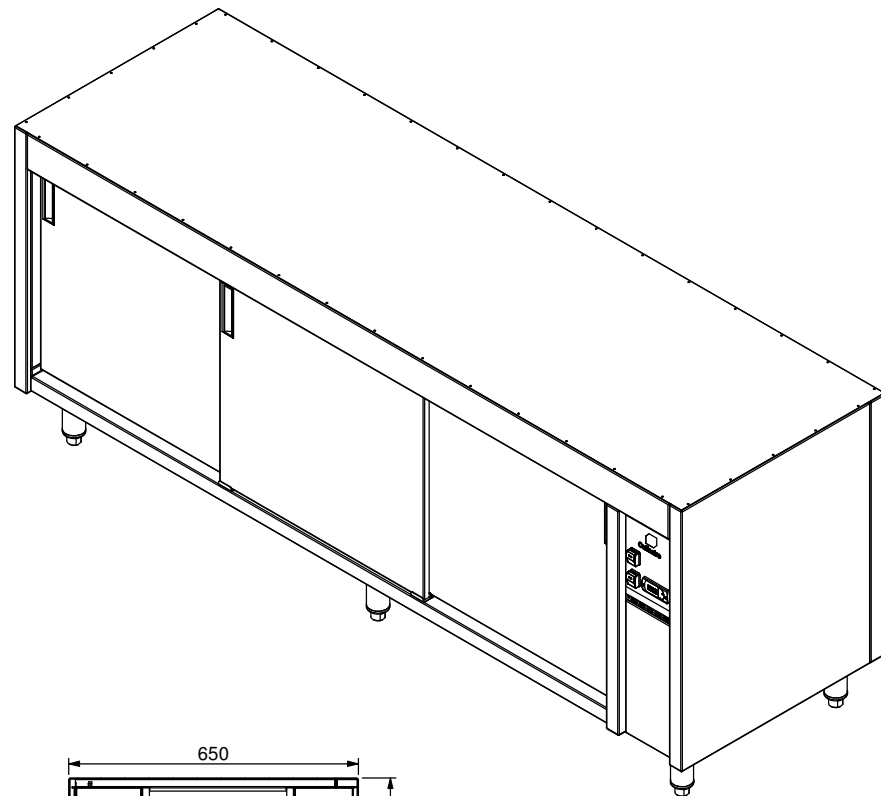


**Product Details**

Electrical Connection : 10Amp Plug & lead (supplied)  
 Electrical Rating : 240V, 10A, 2400W  
 : 1 fan forced heating unit @ 2400w  
 Unit Controls : Switch for optional gantry  
 : Switch for hotcupboard with electronic thermostat  
 Door Opening : 535 x 578 (Ends)  
 : 537 x 578 (Middle)



Press:	Programmed by:	Date:	Punch:	Die:
--------	----------------	-------	--------	------

**STODDART**  
 METAL FABRICATORS  
 TOM STODDART Pty Ltd ACN 009 690 251  
 215 Jackson Rd Sunnybank Hills Qld 4109  
 PO Box 420 Sunnybank Qld 4109  
 Phone (617) 3345 5011 Fax (617) 3344 1000  
 Email sunnybank@stoddart.com.au  
*Quality in stainless steel*

PRODUCT: 6 Mod Undercounter Hotcupboard				PART No: <b>CHC6-U-A001</b>	
NAME	SIGNATURE	DATE	UNLESS OTHERWISE SPECIFIED: DIMENSIONS ARE IN MILLIMETERS	DESCRIPTION: General Drawing	
DRAWN	N Wooler	30/05/2008		DWG No: CHC6-U-D001	
APPV'D			MATERIAL:	REVISION	
			THICKNESS:	B	
			FINISH:		
DO NOT SCALE DRAWING	This drawing remains the property of Tom Stoddart Pty Ltd & cannot be reproduced without prior permission.			A3	Sheet 1 of 44

REV.	NAME	DATE	DESCRIPTION
B	N Wooler	9/05/2006	Redesigned Unit