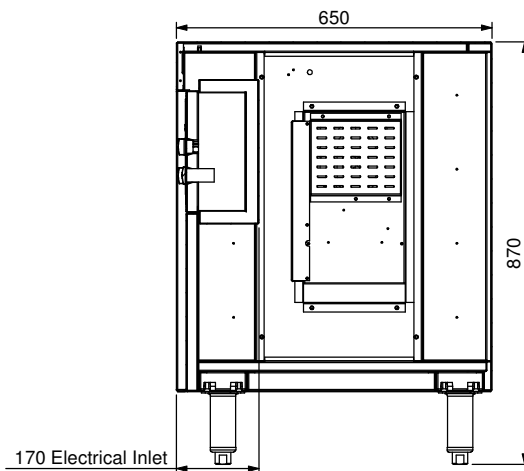
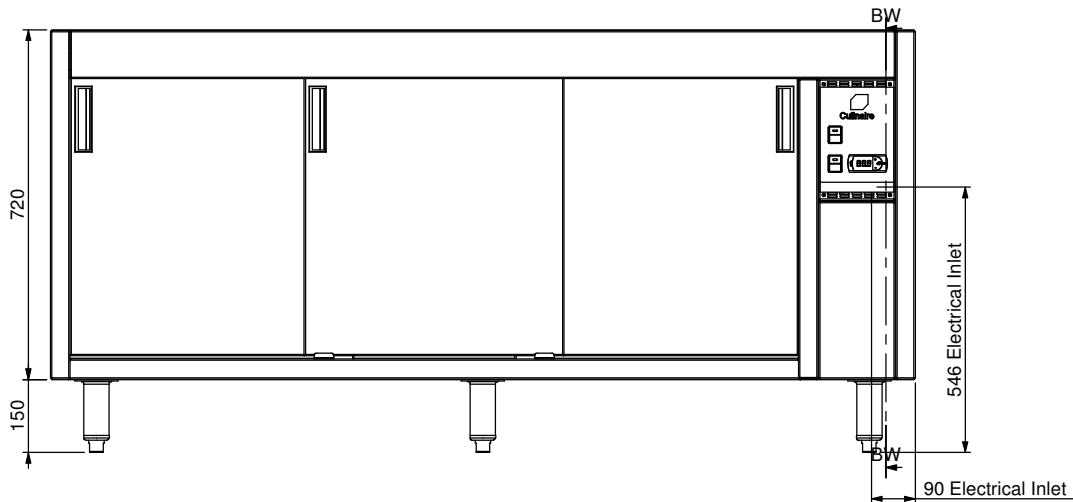
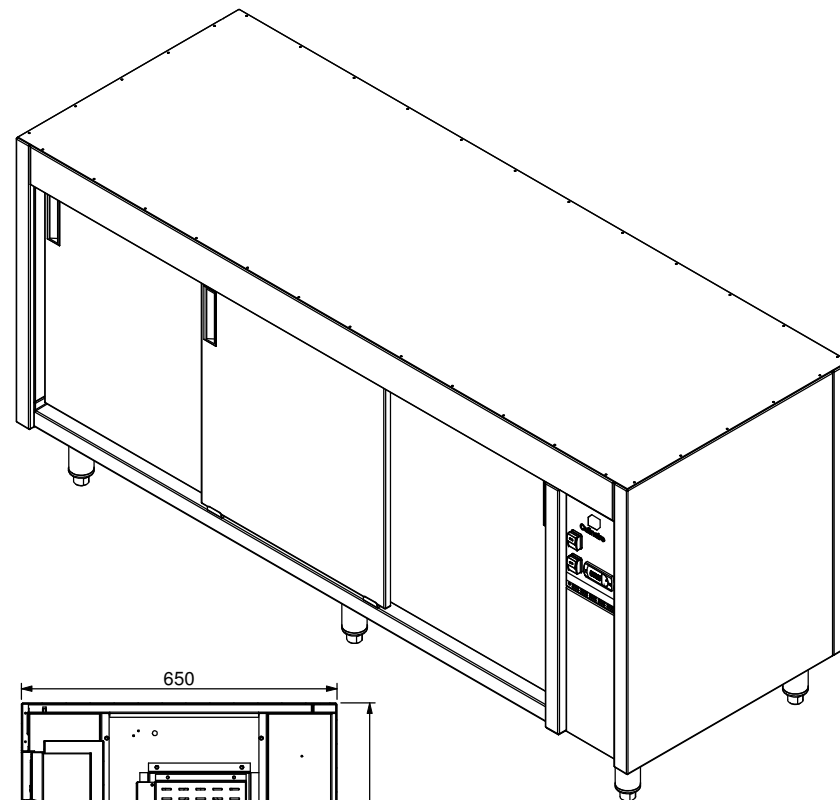
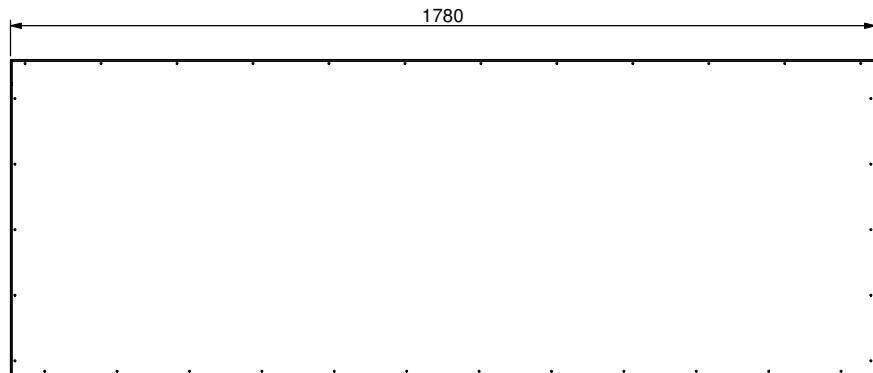


Product Details

Electrical Connection : 10Amp Plug & lead (supplied)
 Electrical Rating : 240V, 10A, 2400W
 : 1 fan forced heating unit @ 2400w
 Unit Controls : Switch for optional gantry
 : Switch for hotcupboard with electronic thermostat
 Door Opening : 425 x 578 (Ends)
 : 331 x 578 (Middle)



SECTION BW-BW

Press:	Programmed by:	Date:	Punch:	Die:
--------	----------------	-------	--------	------

STODDART
 METAL FABRICATORS
 TOM STODDART Pty Ltd ACN 009 690 251
 215 Jackson Rd Sunnybank Hills Qld 4109
 PO Box 420 Sunnybank Qld 4109
 Phone (617) 3345 5011 Fax (617) 3344 1000
 Email sunnybank@stoddart.com.au
Quality in stainless steel

PRODUCT: 5 Mod Undercounter Hotcupboard				PART No: CHC5-U-A001	
DRAWN	N Wooler	SIGNATURE	DATE	UNLESS OTHERWISE SPECIFIED: DIMENSIONS ARE IN MILLIMETERS	
APPVD			30/05/2008	DESCRIPTION: General Drawing	
			MATERIAL:	REVISION	
			THICKNESS:	DWG No: CHC5-U-D001	
			FINISH:	B	
DO NOT SCALE DRAWING		This drawing remains the property of Tom Stoddart Pty Ltd & cannot be reproduced without prior permission.			A3
					Sheet 1 of 45

REV.	NAME	DATE	DESCRIPTION
B	N Wooler	9/05/2006	Redesigned Unit