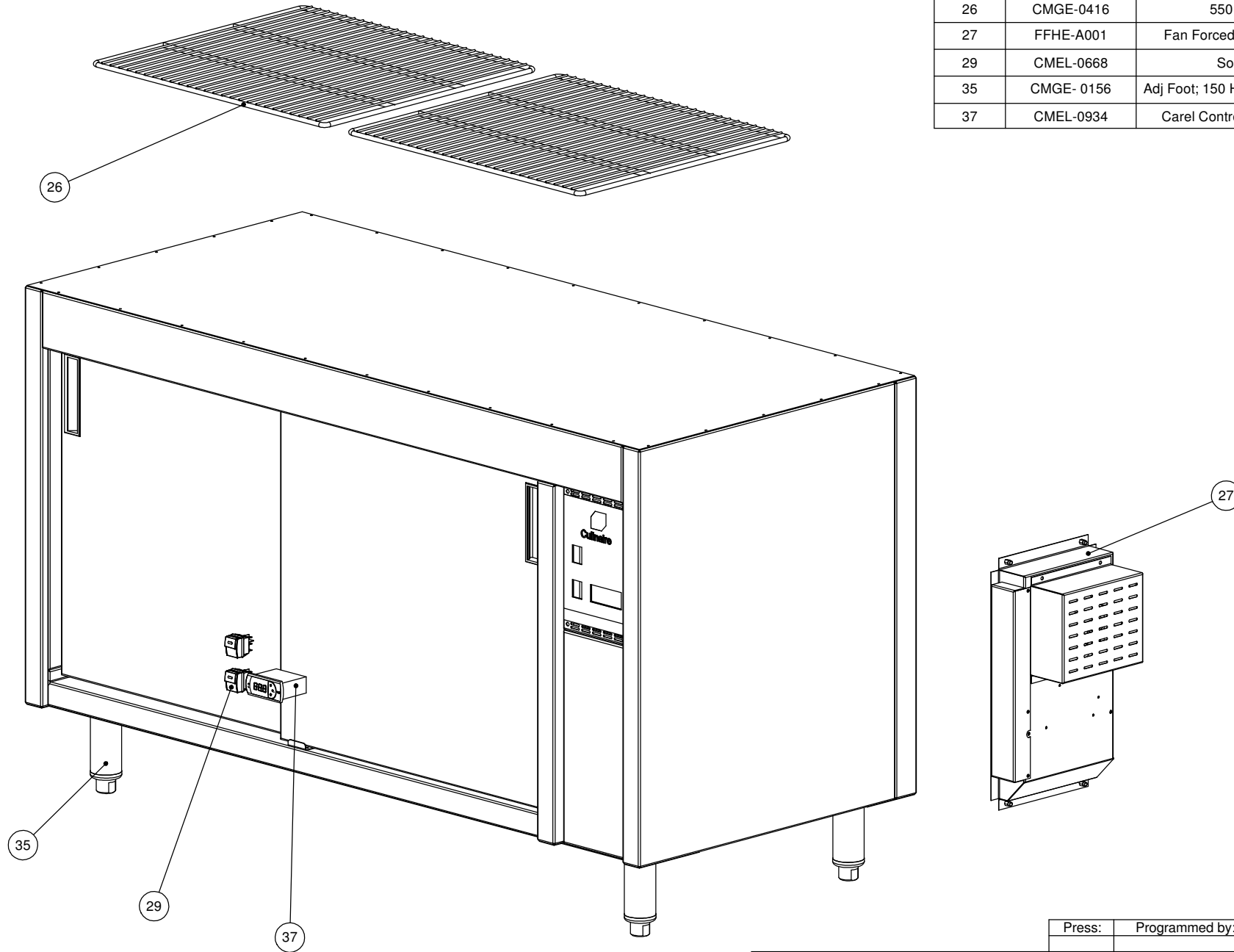


ITEM NO.	PART NUMBER	DESCRIPTION	Spare Parts/QTY.
26	CMGE-0416	550 x 500 Shelf	2
27	FFHE-A001	Fan Forced Heating Enclosure	1
29	CMEL-0668	Sonar Switch	2
35	CMGE- 0156	Adj Foot; 150 High; 50 Dia; with plate	4
37	CMEL-0934	Carel Controller PYEZONM011	1



Press:	Programmed by:	Date:	Punch:	Die:
--------	----------------	-------	--------	------


STODDART
METAL FABRICATORS
 TOM STODDART Pty Ltd ACN 009 690 251
 215 Jackson Rd Sunnybank Hills Qld 4109
 PO Box 420 Sunnybank Qld 4109
 Phone (617) 3345 5011 Fax (617) 3344 1000
 Email sunnybank@stoddart.com.au
Quality in stainless steel

PRODUCT: 4 Mod Undercounter Hotcupboard				PART No: CHC4-U-A001	
DRAWN	NAME	SIGNATURE	DATE	UNLESS OTHERWISE SPECIFIED: DIMENSIONS ARE IN MILLIMETERS	
APPV'D			30/05/2008	DESCRIPTION: Spare Parts	
			MATERIAL:	DWG No: CHC4-U-D001	
			THICKNESS:	REVISION	
			FINISH:	B	
DO NOT SCALE DRAWING		This drawing remains the property of Tom Stoddart Pty Ltd & cannot be reproduced without prior permission.			A3
					Sheet 3 of 42

REV.	NAME	DATE	DESCRIPTION
B	M Sheehan	25/03/2008	Dixell controller replaced by Carel