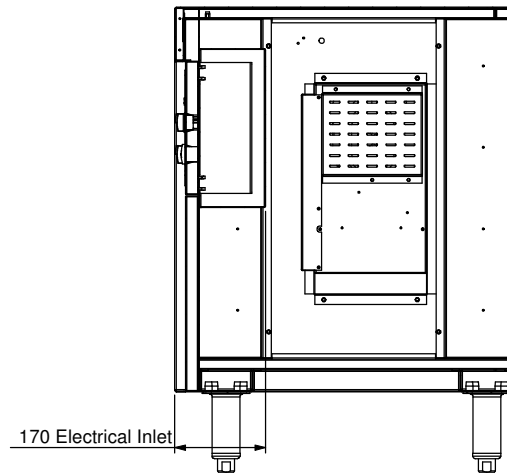
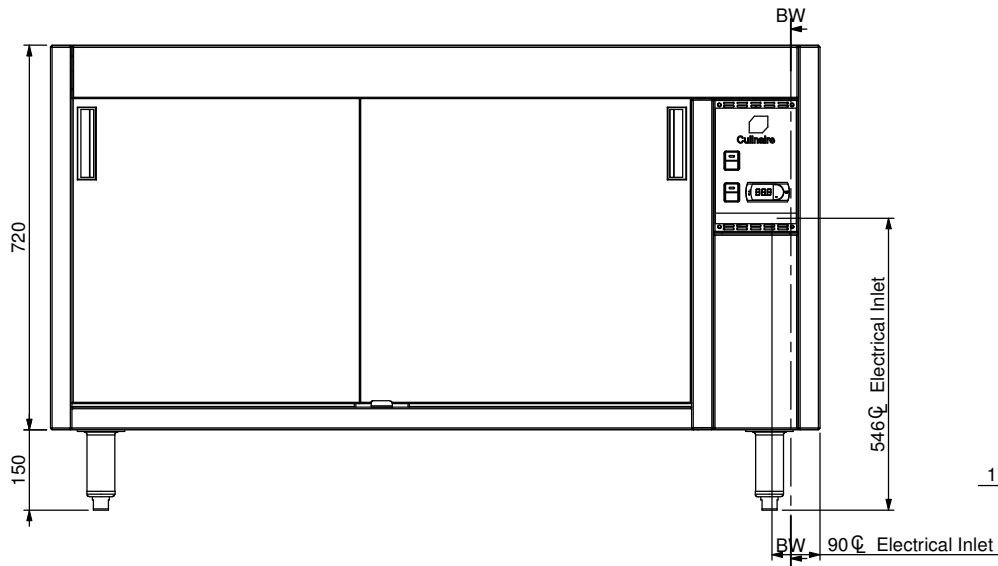
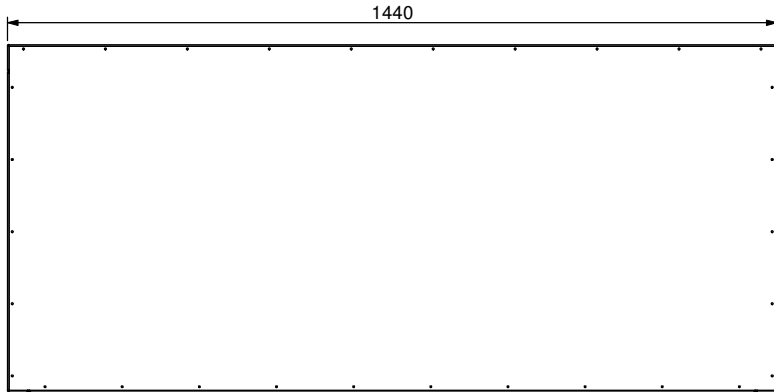
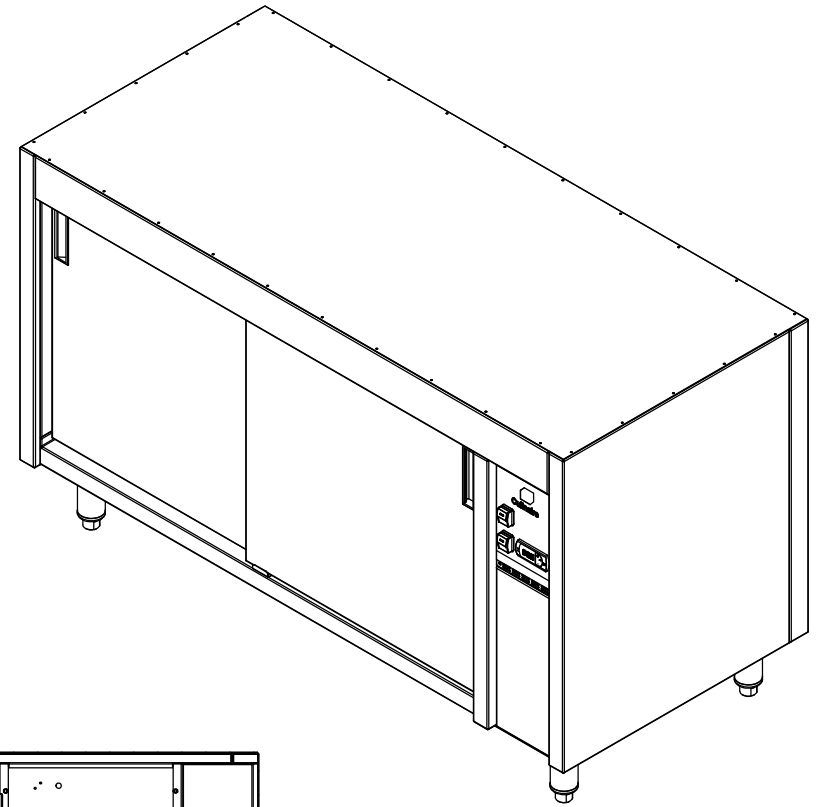


Product Details

Electrical Connection : 10Amp Plug & lead (supplied)
 Electrical Rating : 240V, 10A, 2400W
 Unit Controls : 1 fan forced heating unit @ 2400w
 : Switch for optional gantry
 : Switch for hotcupboard with electronic thermostat
 Door Opening : 500mm x 578mm



SECTION BW-BW

Press:	Programmed by:	Date:	Punch:	Die:
--------	----------------	-------	--------	------

PRODUCT: 4 Mod Undercounter Hotcupboard				PART No: CHC4-U-A001	
NAME	SIGNATURE	DATE	UNLESS OTHERWISE SPECIFIED: DIMENSIONS ARE IN MILLIMETERS	DESCRIPTION: General Drawing	
DRAWN N Wooler		30/05/2008		DWG No: CHC4-U-D001	
APPROVD			MATERIAL:	REVISION	
			THICKNESS:	B	
			FINISH:		
DO NOT SCALE DRAWING	This drawing remains the property of Tom Stoddart Pty Ltd & cannot be reproduced without prior permission.			A3	Sheet 1 of 42

STODDART
 METAL FABRICATORS
 TOM STODDART Pty Ltd ACN 009 690 251
 215 Jackson Rd Sunnybank Hills Qld 4109
 PO Box 420 Sunnybank Qld 4109
 Phone (617) 3345 5011 Fax (617) 3344 1000
 Email sunnybank@stoddart.com.au
Quality in stainless steel

REV.	NAME	DATE	DESCRIPTION
B	N Wooler	12/05/2006	Redesigned Unit