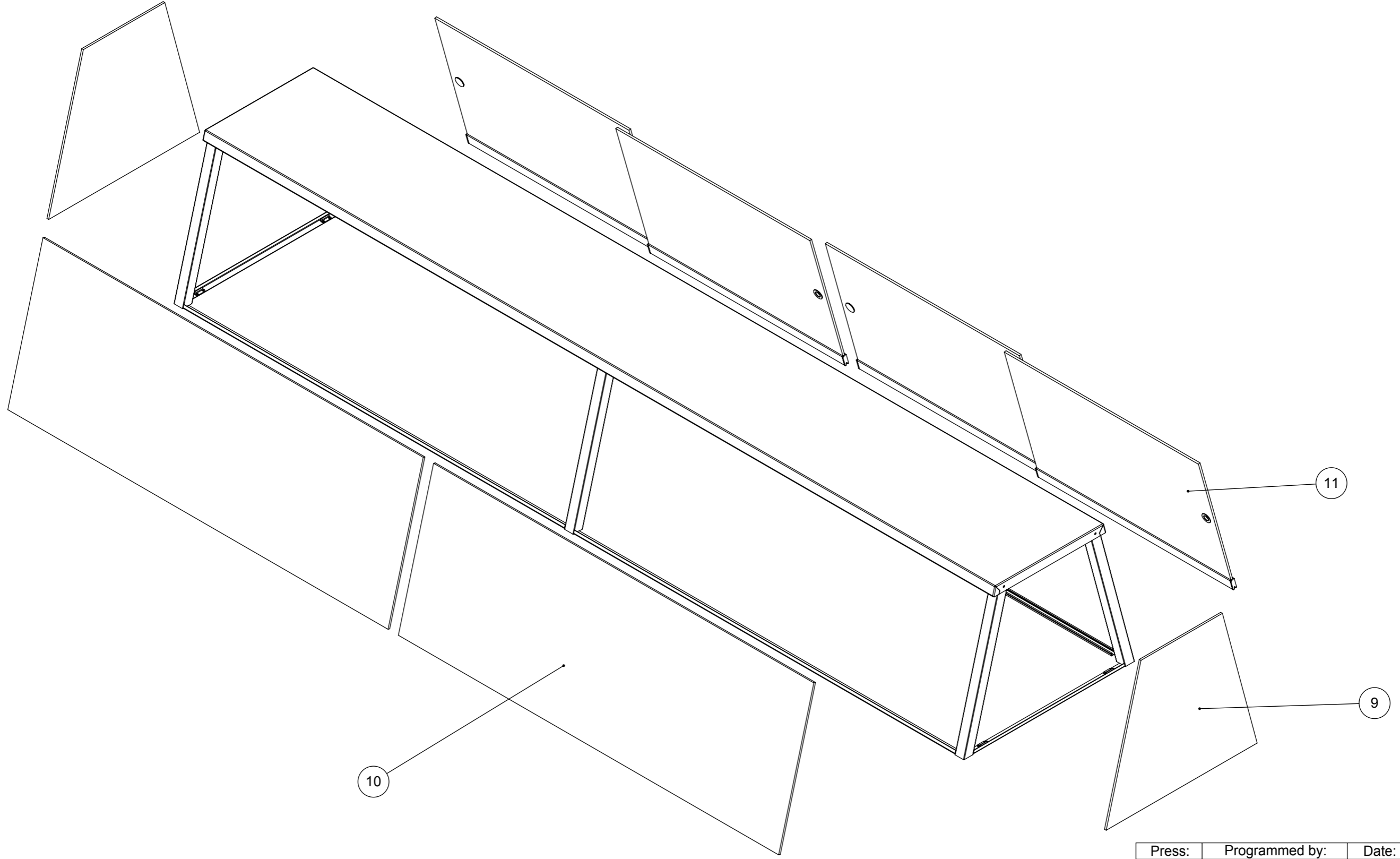


ITEM NO.	PART NUMBER	DESCRIPTION	Spare Parts/QTY.
9	GLAS-0042	Culinaire A-Frame End Glass	2
10	GLAS-0090	Culinaire 8 Mod A-Frame Front Glass	2
11	CGD-8G-A001	A-Frame Sliding Glass Door	4



Press:	Programmed by:	Date:	Punch:	Die:


STODDART
METAL FABRICATORS
 TOM STODDART Pty Ltd ACN 009 690 251
 215 Jackson Rd Sunnybank Hills Qld 4109
 PO Box 420 Sunnybank Qld 4109
 Phone (617) 3345 5011 Fax (617) 3344 1000
 Email sunnybank@stoddart.com.au
Quality in stainless steel

PRODUCT: Culinaire 8 Mod A-Frame Gantry (Unheated)		PART No: CG-8G-A001	
NAME	SIGNATURE	DATE	UNLESS OTHERWISE SPECIFIED: DIMENSIONS ARE IN MILLIMETERS
DRAWN M Sheehan		10/03/2006	
APPVD			MATERIAL: 1.2 304 s/s
			THICKNESS: FINISH: No 4
DO NOT SCALE DRAWING		This drawing remains the property of Tom Stoddart Pty Ltd & cannot be reproduced without prior permission.	
		A3	Sheet 3 of 17
		REVISION A	
		DESCRIPTION: Spare Parts	
		DWG No: CG-8G-D001	