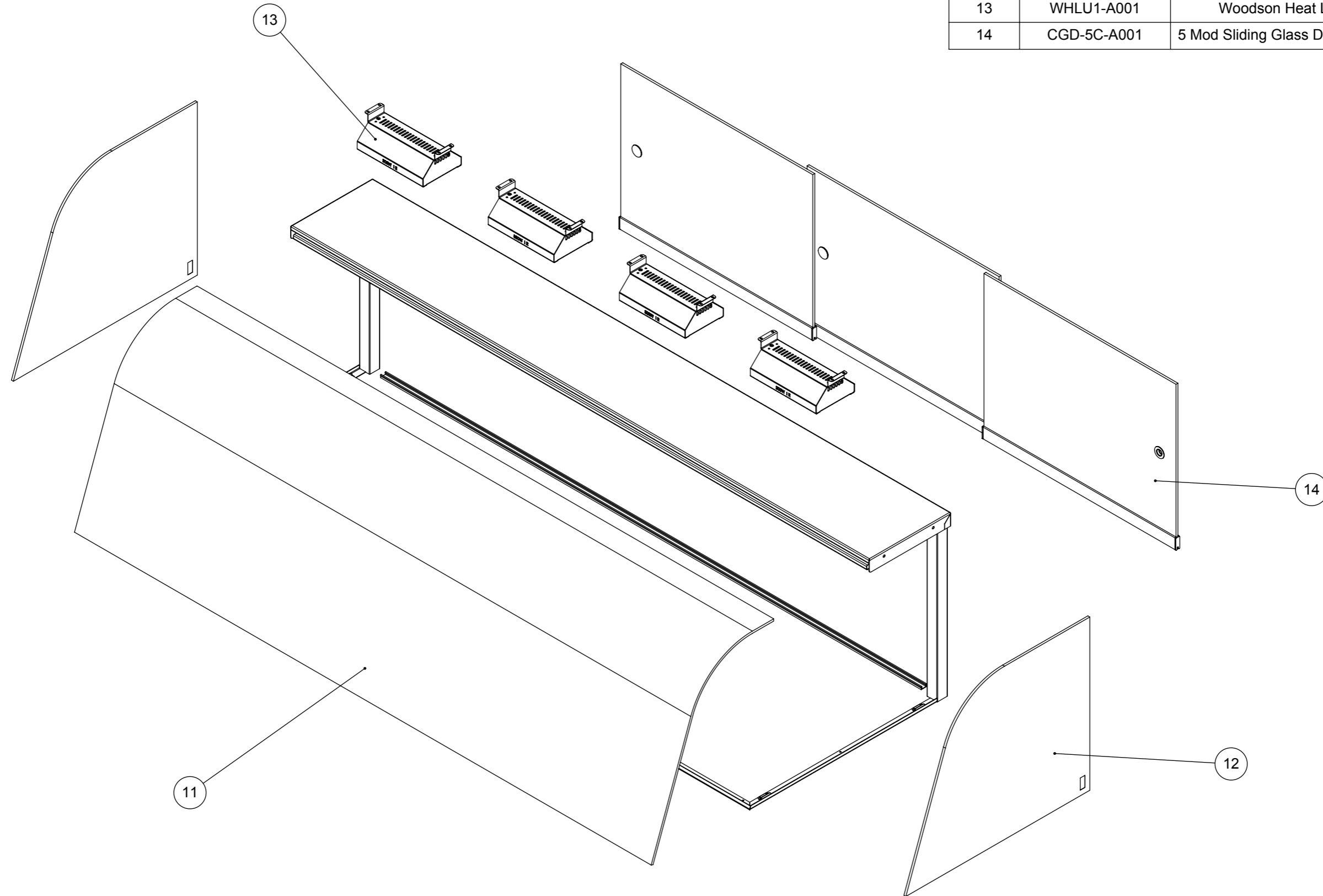


| ITEM NO. | PART NUMBER | DESCRIPTION | Spare Parts/QTY. |
|----------|-------------|--|------------------|
| 11 | GLAS-0049 | Culinaire 5 Bay Curved Glass Front | 1 |
| 12 | GLAS-0011 | Woodson Curved Glass End | 2 |
| 13 | WHLU1-A001 | Woodson Heat Lamp 300watt | 4 |
| 14 | CGD-5C-A001 | 5 Mod Sliding Glass Door - Curved Gantry | 3 |



| | | | | |
|--------|----------------|-------|--------|------|
| Press: | Programmed by: | Date: | Punch: | Die: |
| | | | | |


STODDART
METAL FABRICATORS
 TOM STODDART Pty Ltd ACN 009 690 251
 215 Jackson Rd Sunnybank Hills Qld 4109
 PO Box 420 Sunnybank Qld 4109
 Phone (617) 3345 5011 Fax (617) 3344 1000
 Email sunnybank@stoddart.com.au
Quality in stainless steel

| | | | | | |
|---|-----------|------------|--|----------------------------|----|
| PRODUCT: Culinaire 5 Mod Curved Gantry (Heated) | | | | PART No: CG-5C-A001 | |
| NAME | SIGNATURE | DATE | UNLESS OTHERWISE SPECIFIED: DIMENSIONS ARE IN MILLIMETERS | DESCRIPTION: Spare Parts | |
| DRAWN M Sheehan | | 13/07/2006 | | REVISION A | |
| APPVD | | | MATERIAL: | DWG No: CG-5CH-D001 | |
| | | | THICKNESS: | | |
| | | | FINISH: | | |
| DO NOT SCALE DRAWING | | | This drawing remains the property of Tom Stoddart Pty Ltd & cannot be reproduced without prior permission. | | A3 |
| | | | Sheet 3 of 16 | | |