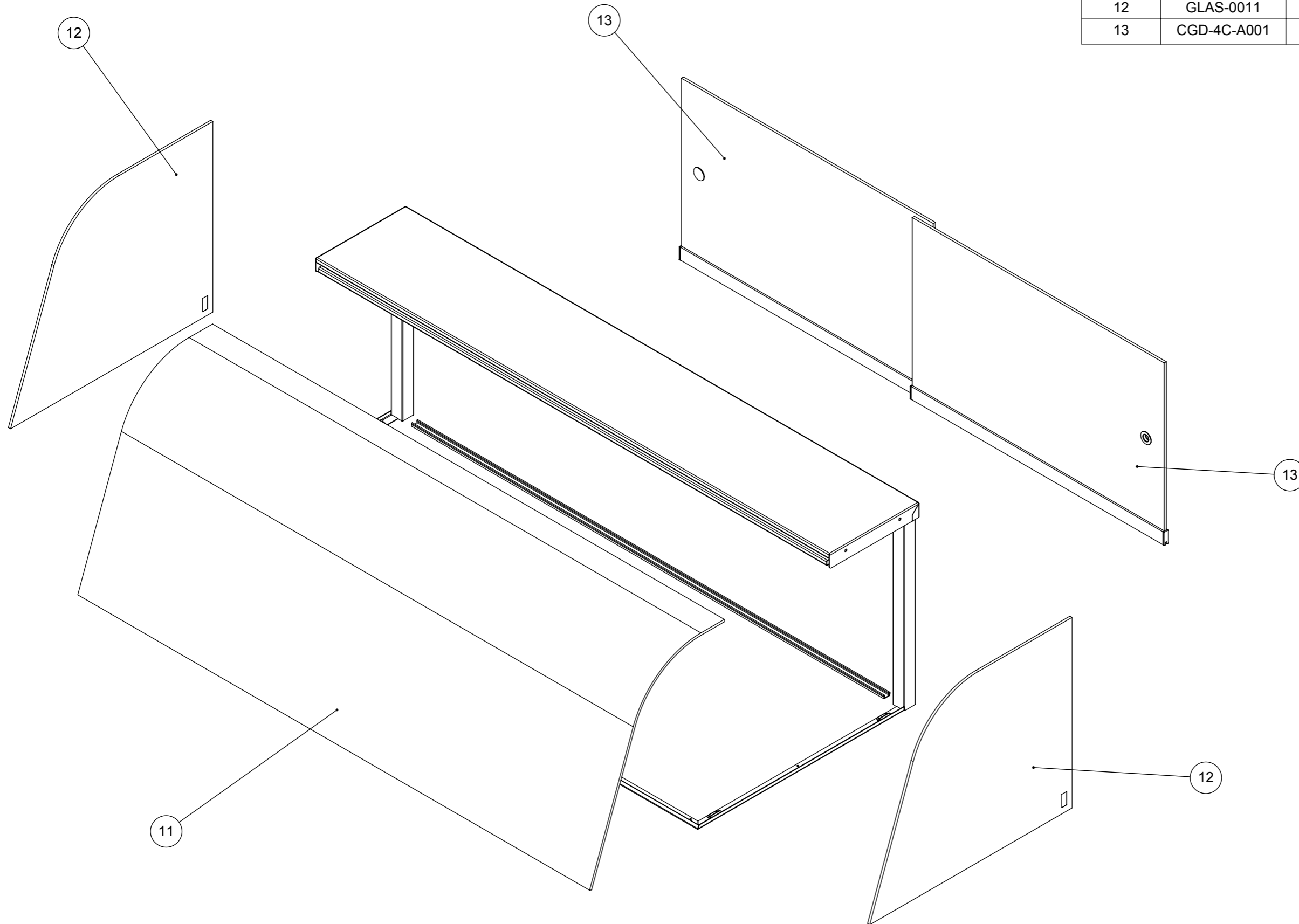


ITEM NO.	PART NUMBER	DESCRIPTION	Spare Parts/QTY.
11	GLAS-0048	Culinaire 4 Bay Curved Glass Front	1
12	GLAS-0011	Woodson Curved Glass End	2
13	CGD-4C-A001	A-Frame Sliding Glass Door	2



Press:	Programmed by:	Date:	Punch:	Die:


STODDART
METAL FABRICATORS
 TOM STODDART Pty Ltd ACN 009 690 251
 215 Jackson Rd Sunnybank Hills Qld 4109
 PO Box 420 Sunnybank Qld 4109
 Phone (617) 3345 5011 Fax (617) 3344 1000
 Email sunnybank@stoddart.com.au
Quality in stainless steel

PRODUCT: Culinaire 4 Mod Curved Gantry (Unheated)				PART No: CG-4C-A001	
NAME	SIGNATURE	DATE	UNLESS OTHERWISE SPECIFIED: DIMENSIONS ARE IN MILLIMETERS	DESCRIPTION: Spare Parts	
DRAWN M Sheehan		13/07/2006			
APPVD			MATERIAL:	REVISION	
			THICKNESS:	A	
			FINISH:	DWG No: CG-4C-D001	
DO NOT SCALE DRAWING			This drawing remains the property of Tom Stoddart Pty Ltd & cannot be reproduced without prior permission.		Sheet 3 of 16