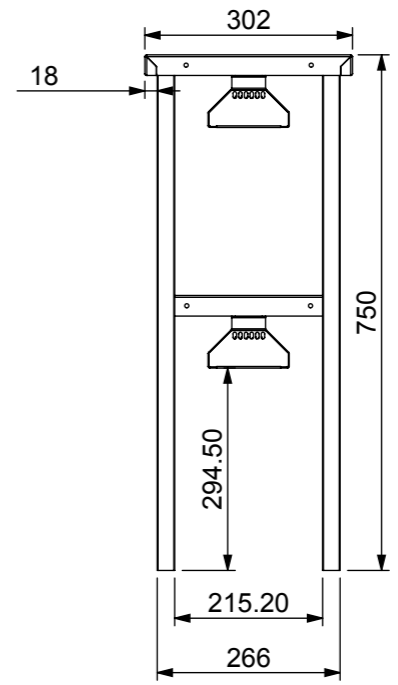
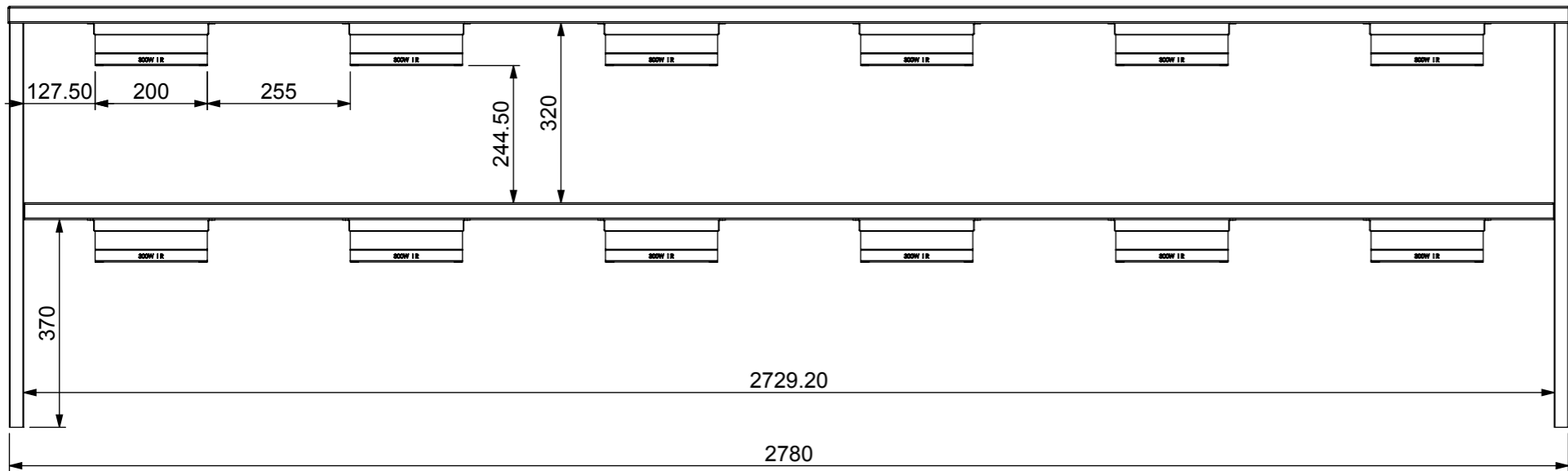
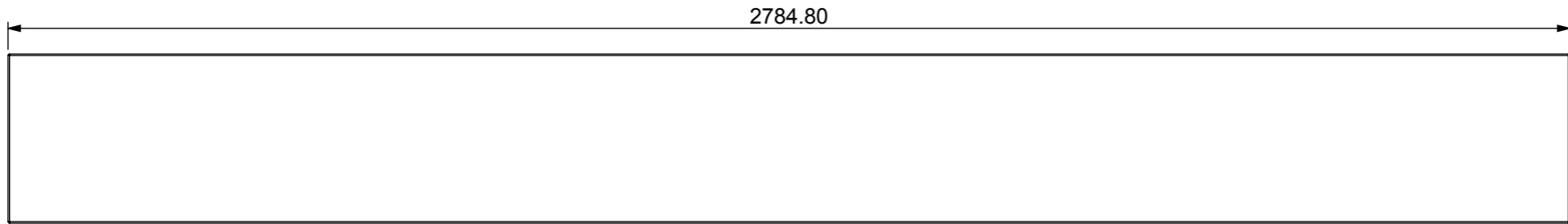
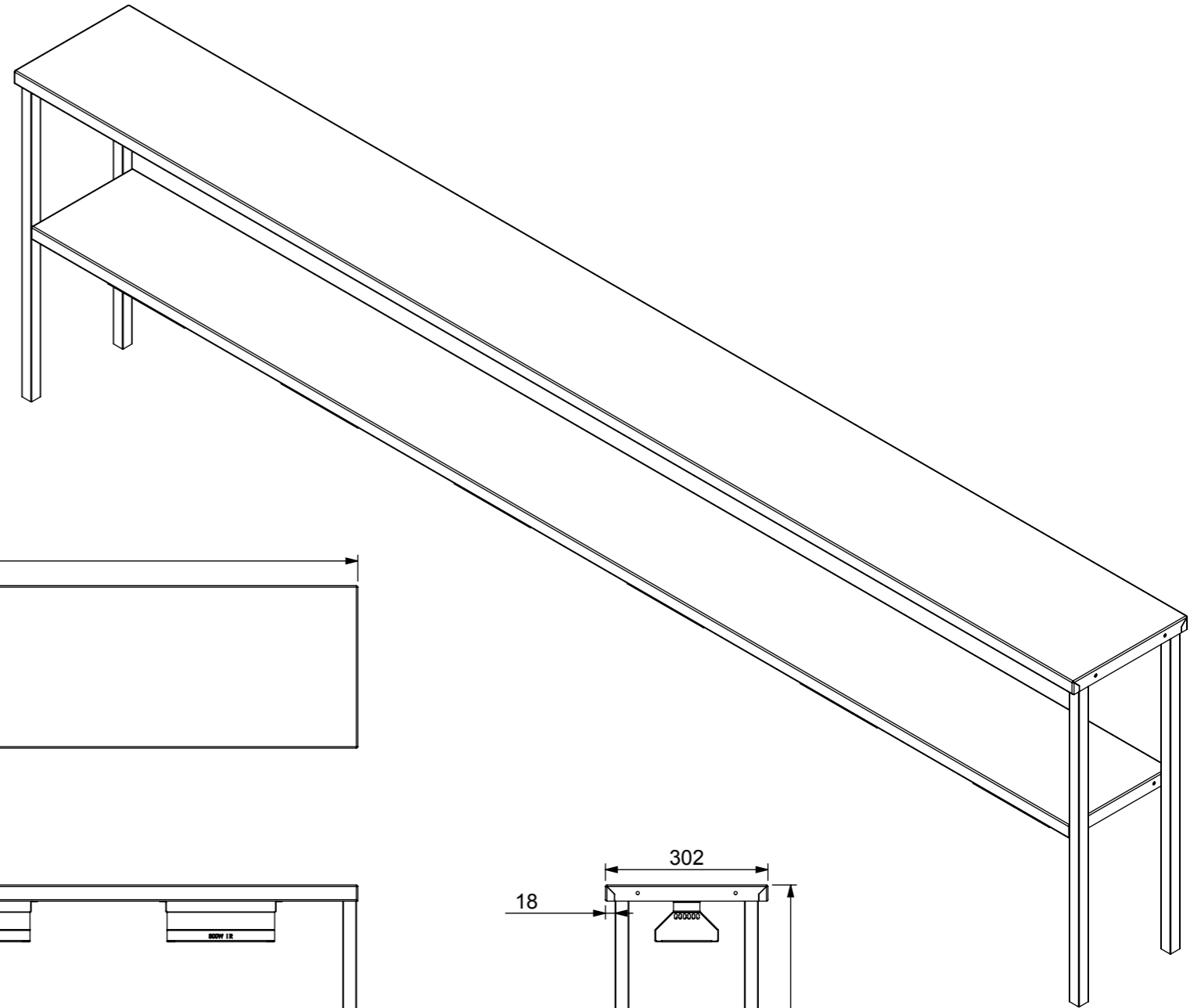


**Product Details**

Electrical Connection: Hard Wired  
 Electrical Rating : 240V, 15A, 3600W  
 : 12 Heat Lamps @ 300W per Lamp



Press:	Programmed by:	Date:	Punch:	Die:
--------	----------------	-------	--------	------

REV.	NAME	DATE	DESCRIPTION
B	M Sheehan	10/01/2008	Extra two (2) heat lamps added

**STODDART**  
 METAL FABRICATORS  
 TOM STODDART Pty Ltd ACN 009 690 251  
 215 Jackson Rd Sunnybank Hills Qld 4109  
 PO Box 420 Sunnybank Qld 4109  
 Phone (617) 3345 5011 Fax (617) 3344 1000  
 Email sunnybank@stoddart.com.au  
*Quality in stainless steel*

PRODUCT: 8 Mod 2 Tier Heated Gantry				PART No: <b>CDG-8H-A001</b>	
NAME	SIGNATURE	DATE	UNLESS OTHERWISE SPECIFIED: DIMENSIONS ARE IN MILLIMETERS	DESCRIPTION: General Drawing	
DRAWN N Wooler		25/09/2008		DWG No: CDG-8H-D001	
APPVD			MATERIAL:	REVISION	
			THICKNESS:	B	
			FINISH:	Sheet 1 of 11	
DO NOT SCALE DRAWING			This drawing remains the property of Tom Stoddart Pty Ltd & cannot be reproduced without prior permission.		A3