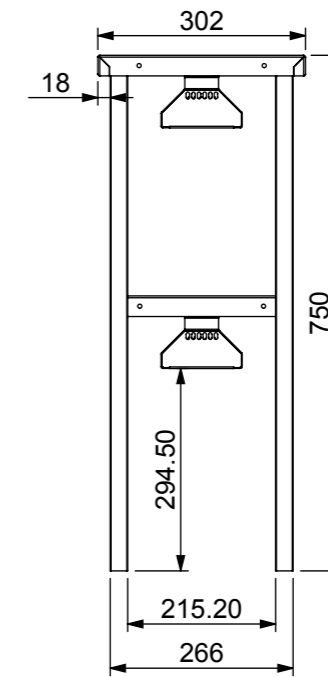
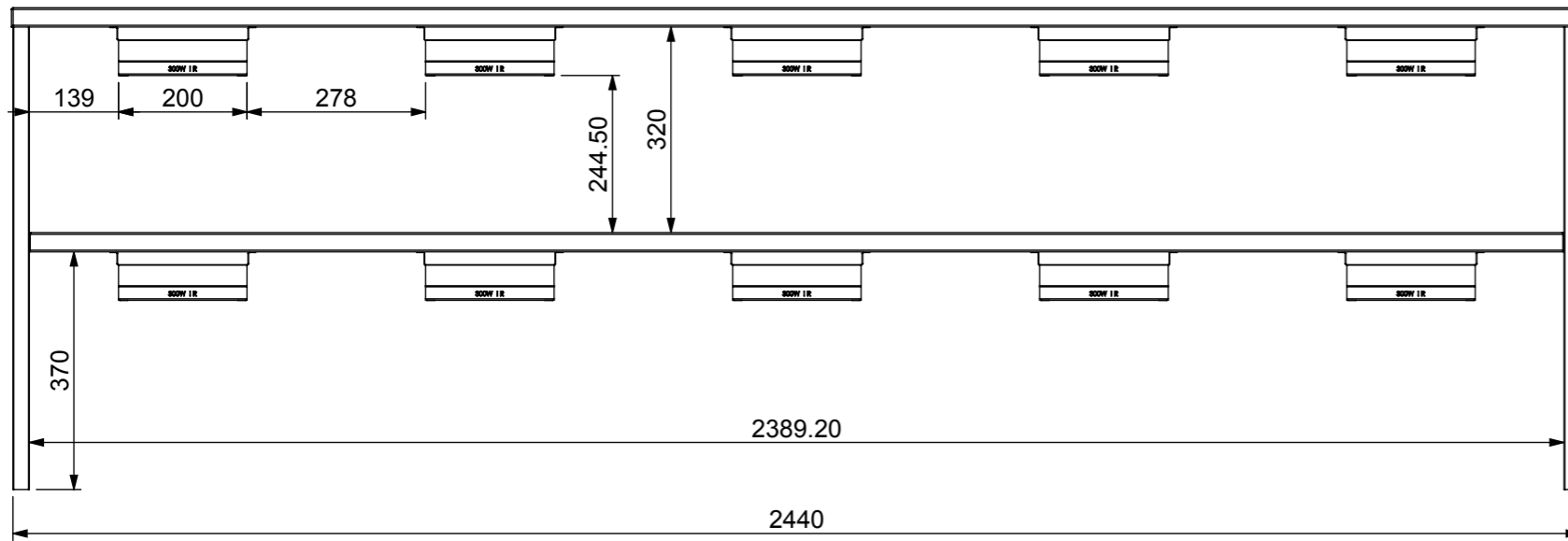
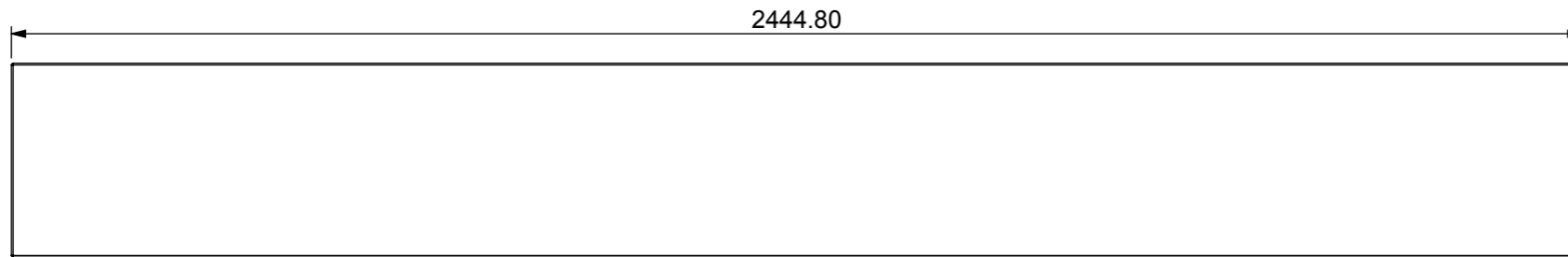
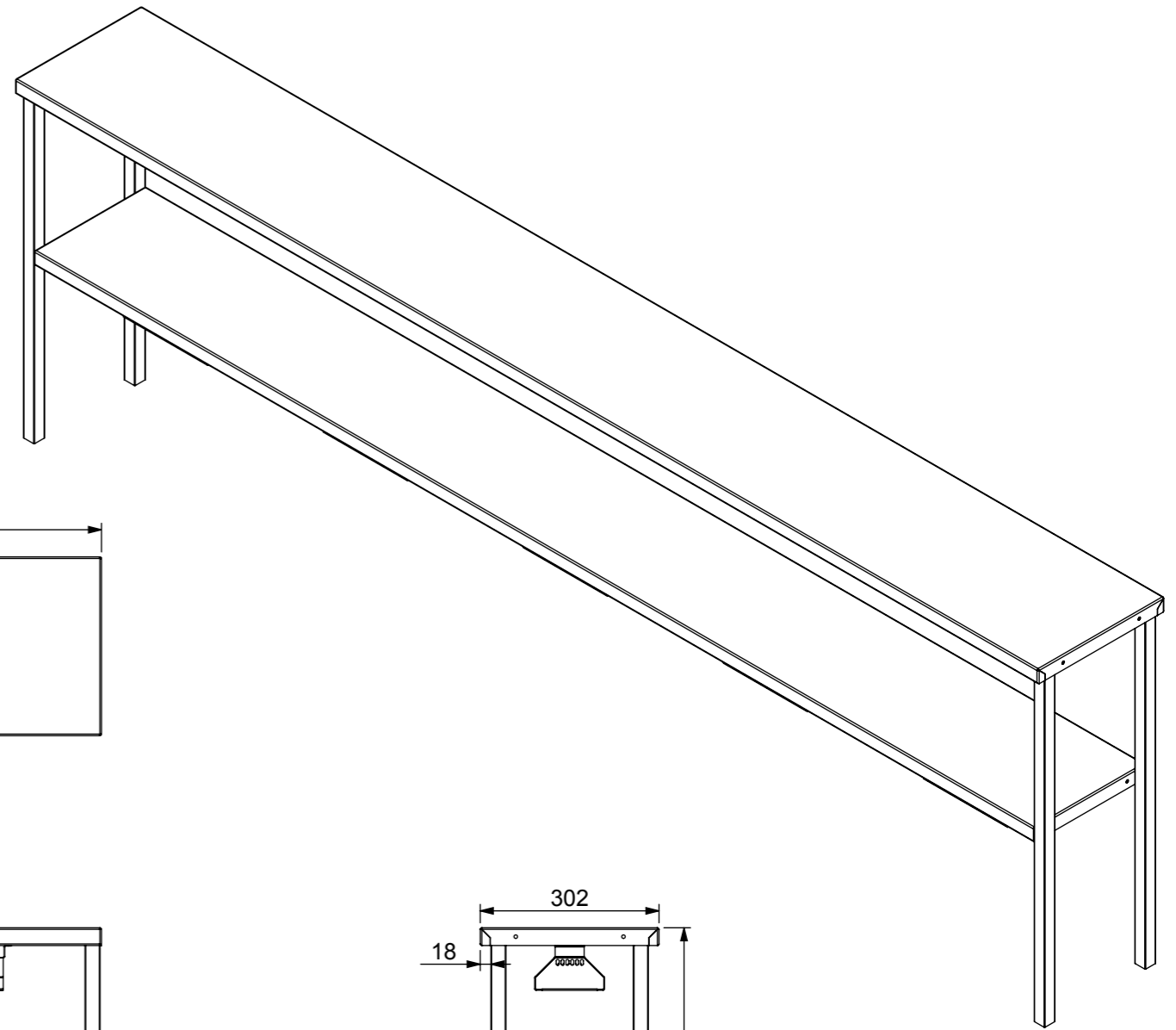


Product Details

Electrical Connection: Hard Wired
 Electrical Rating : 240V, 12.5A, 3000W
 : 10 Heat Lamps @ 300W per Lamp



Press:	Programmed by:	Date:	Punch:	Die:

STODDART
 METAL FABRICATORS
 TOM STODDART Pty Ltd ACN 009 690 251
 215 Jackson Rd Sunnybank Hills Qld 4109
 PO Box 420 Sunnybank Qld 4109
 Phone (617) 3345 5011 Fax (617) 3344 1000
 Email sunnybank@stoddart.com.au
Quality in stainless steel

PRODUCT: 7 Mod 2 Tier Heated Gantry				PART No: CDG-7H-A001	
NAME	SIGNATURE	DATE	UNLESS OTHERWISE SPECIFIED: DIMENSIONS ARE IN MILLIMETERS	DESCRIPTION: General Drawing	
DRAWN N Wooler		19/09/2008		REVISION	
APPVD			MATERIAL:	DWG No: CDG-7H-D001	
			THICKNESS:	B	
			FINISH:	Sheet 1 of 11	
DO NOT SCALE DRAWING			This drawing remains the property of Tom Stoddart Pty Ltd & cannot be reproduced without prior permission.		

REV.	NAME	DATE	DESCRIPTION
B	M Sheehan	10/01/2008	Exrta heat lamp added