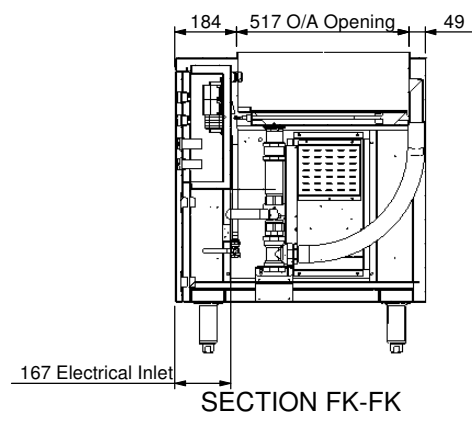
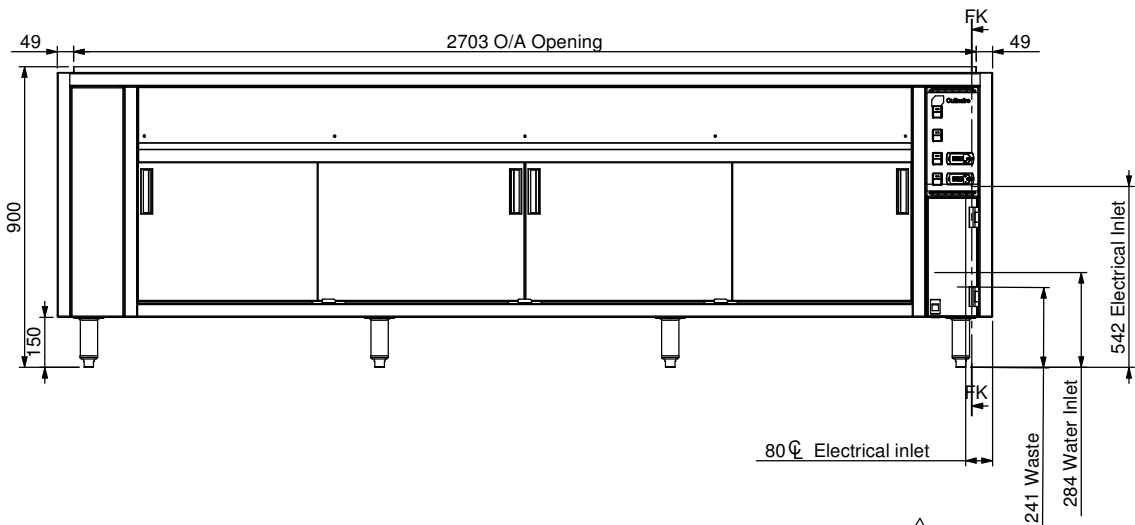
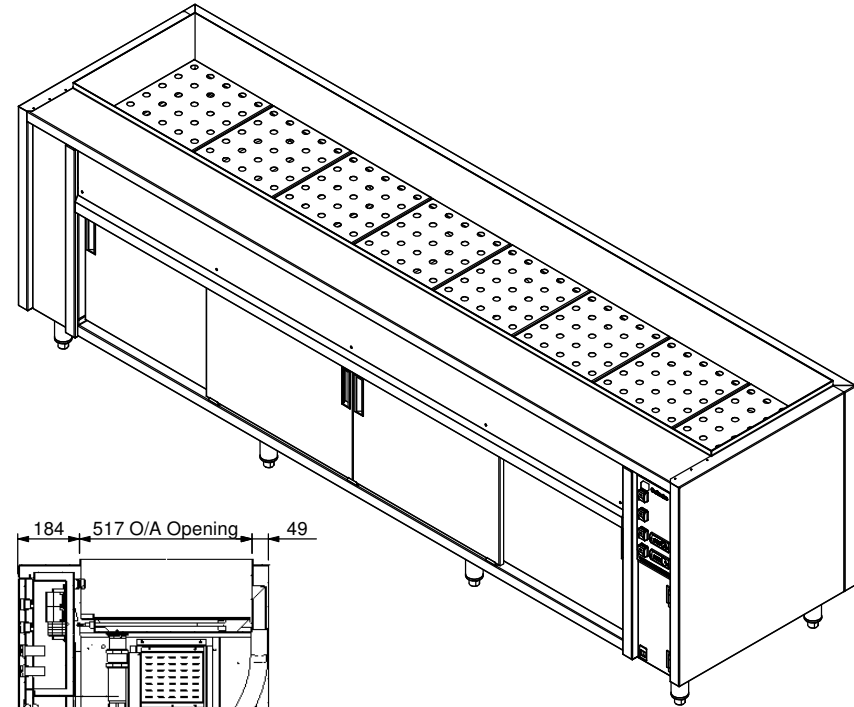
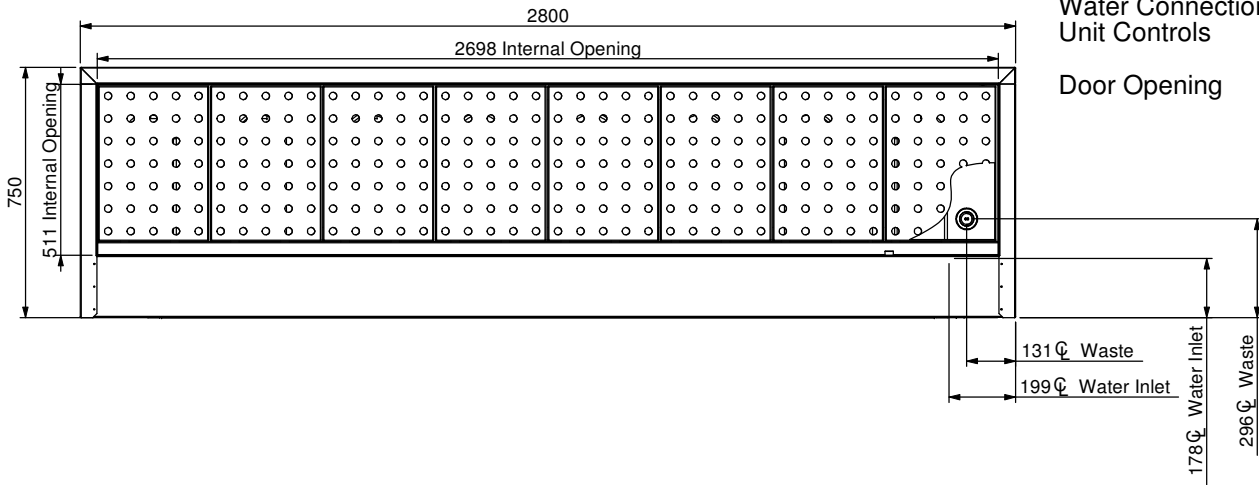


Product Details

- Electrical Connection : Supply 3 phase + Neutral + Earth
- : 240V, 50amps, 10800w, Hard Wired
- : 8 elements @ 750w (240V)
- : 2 fan forced heating unit @ 2400w (240V)
- : 40mm with 1 1/2" BSP ball valve
- : 38mm dia
- Waste Overflow : 1/2" BSP ball valve
- Water Connection : Switch for bain marie with electronic thermostat
- Unit Controls : Switch for hotcupboard with electronic thermostat
- Door Opening : 510 x 421 (Ends),
- : 487 x 421 (Middle)



Press:	Programmed by:	Date:	Punch:	Die:
--------	----------------	-------	--------	------

PRODUCT: 8 Mod Underbench Bain Marie Hotcupboard				PART No: CBMH8-U-A001	
NAME	SIGNATURE	DATE	UNLESS OTHERWISE SPECIFIED: DIMENSIONS ARE IN MILLIMETERS	DESCRIPTION: General Drawing	
DRAWN N Wooler		3/09/2008			
APPVD			MATERIAL: 304 No 4 S/S		
			THICKNESS:		
			FINISH: No 4		
DO NOT SCALE DRAWING		This drawing remains the property of Tom Stoddart Pty Ltd & cannot be reproduced without prior permission.			A3
				Sheet 1 of 57	REVISION B

STODDART
METAL FABRICATORS
TOM STODDART Pty Ltd ACN 009 690 251
215 Jackson Rd Sunnybank Hills Qld 4109
PO Box 420 Sunnybank Qld 4109
Phone (617) 3345 5011 Fax (617) 3344 1000
Email sunnybank@stoddart.com.au
Quality in stainless steel

REV.	NAME	DATE	DESCRIPTION
B	N Wooler	15/09/2006	Latest changes implemented