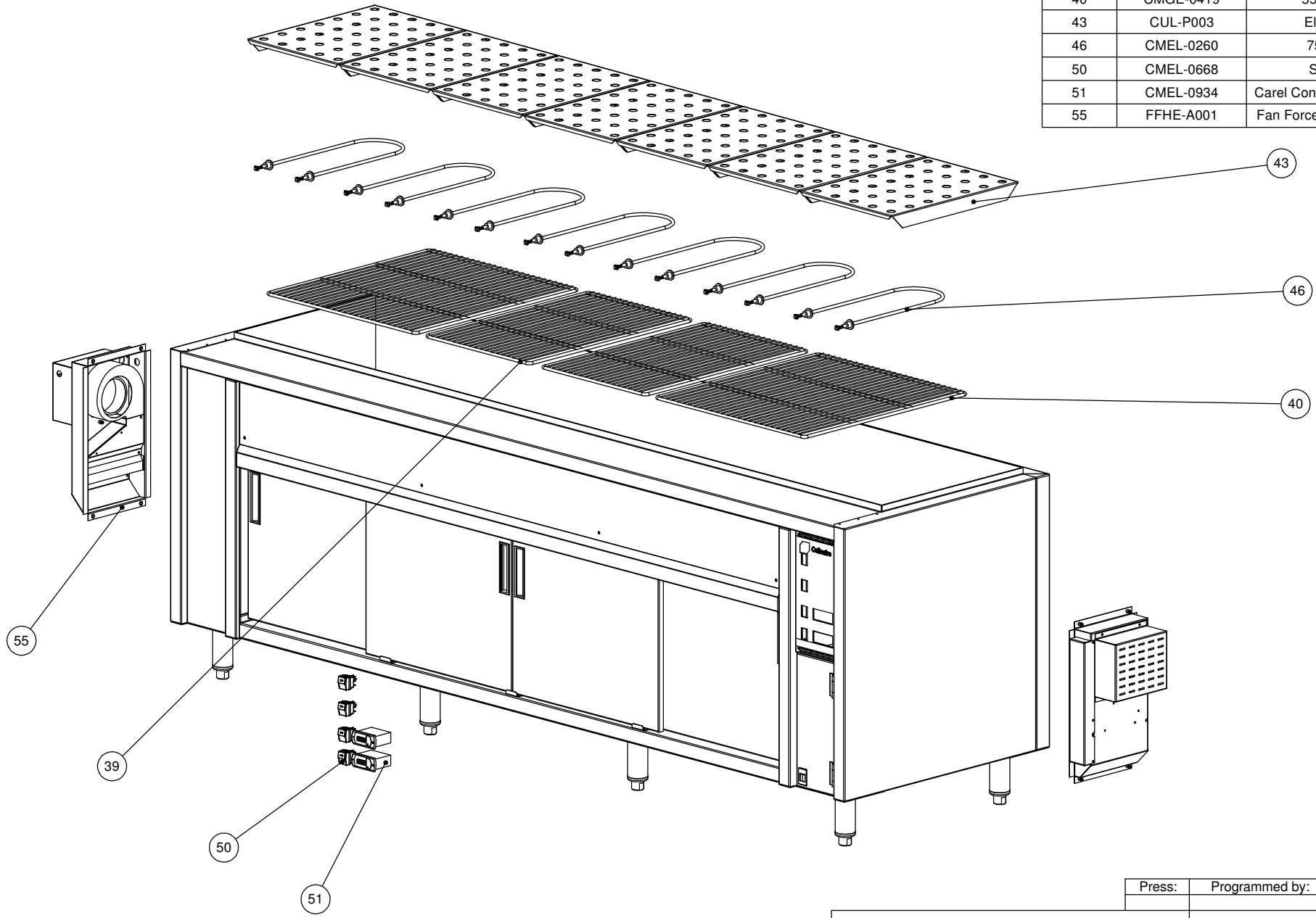
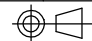


ITEM NO.	PART NUMBER	DESCRIPTION	Spare Parts/QTY.
39	CMGE-0418	385 x 600 Shelf	2
40	CMGE-0419	550 x 600 Shelf	2
43	CUL-P003	Element Cover	7
46	CMEL-0260	750w element	7
50	CMEL-0668	Sonar Switch	4
51	CMEL-0934	Carel Controller PYEZONM011	2
55	FFHE-A001	Fan Forced Heating Enclosure	2



REV.	NAME	DATE	DESCRIPTION
C	M Sheehan	26/03/2008	Dixell controller replaced by Carel
B	N Wooler	15/09/2006	Latest changes implemented


STODDART
 METAL FABRICATORS
 TOM STODDART Pty Ltd ACN 009 690 251
 215 Jackson Rd Sunnybank Hills Qld 4109
 PO Box 420 Sunnybank Qld 4109
 Phone (617) 3345 5011 Fax (617) 3344 1000
 Email sunnybank@stoddart.com.au
Quality in stainless steel

Press:		Programmed by:		Date:	Punch:	Die:
PRODUCT: 7 Mod Underbench Bain Marie Hotcupboard				PART No: CBMH7-U-A001		
DRAWN	N Wooler	SIGNATURE		DATE	3/02/2006	UNLESS OTHERWISE SPECIFIED: DIMENSIONS ARE IN MILLIMETERS
APPVD						MATERIAL: 304 No 4 S/S
						THICKNESS: FINISH: No 4
				DWG No: CBMH7-U-D001		REVISION C
DO NOT SCALE DRAWING				This drawing remains the property of Tom Stoddart Pty Ltd & cannot be reproduced without prior permission.		A3
						Sheet 3 of 60