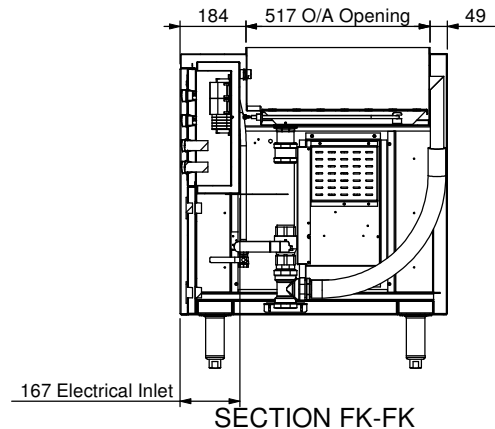
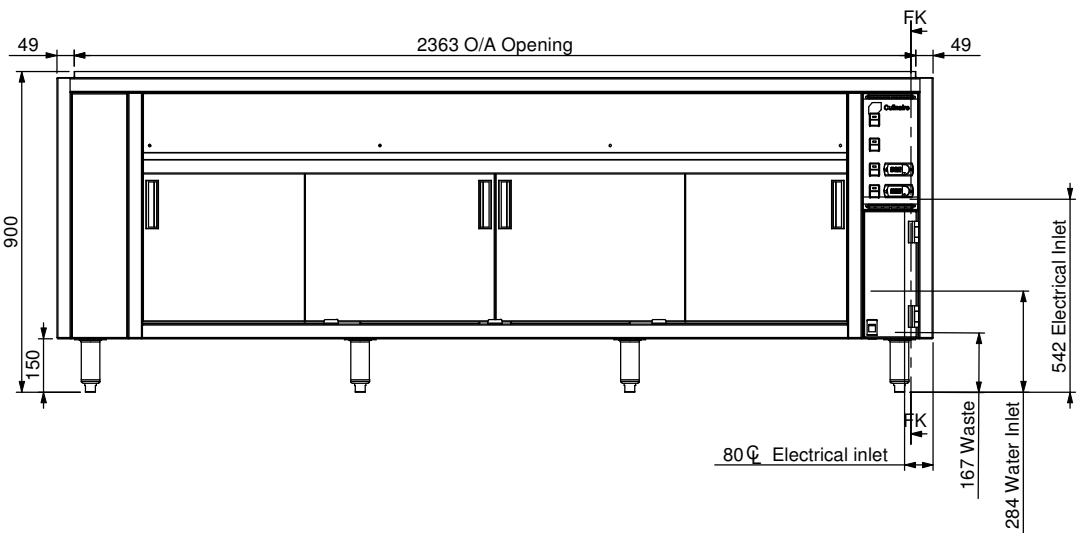
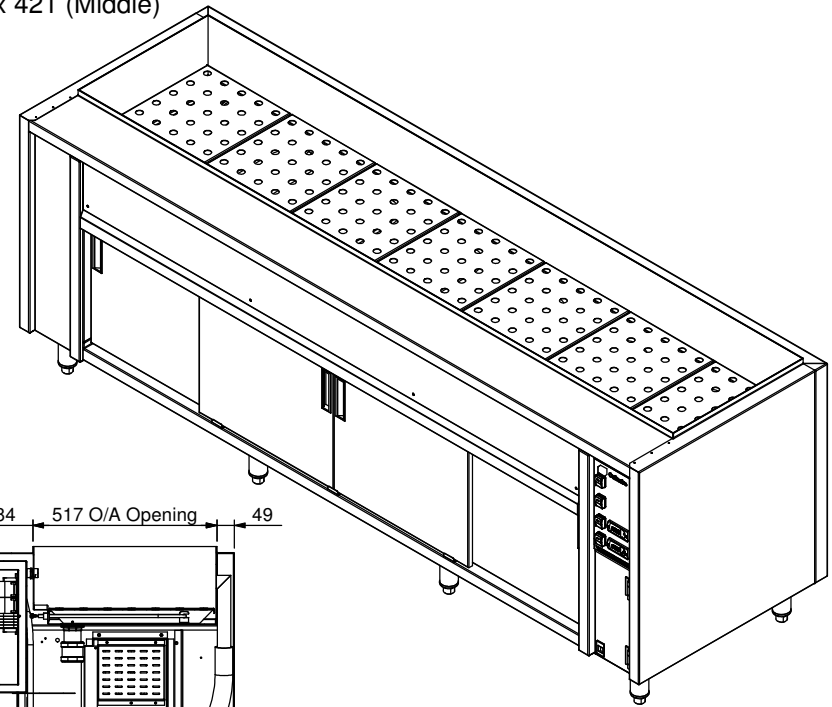
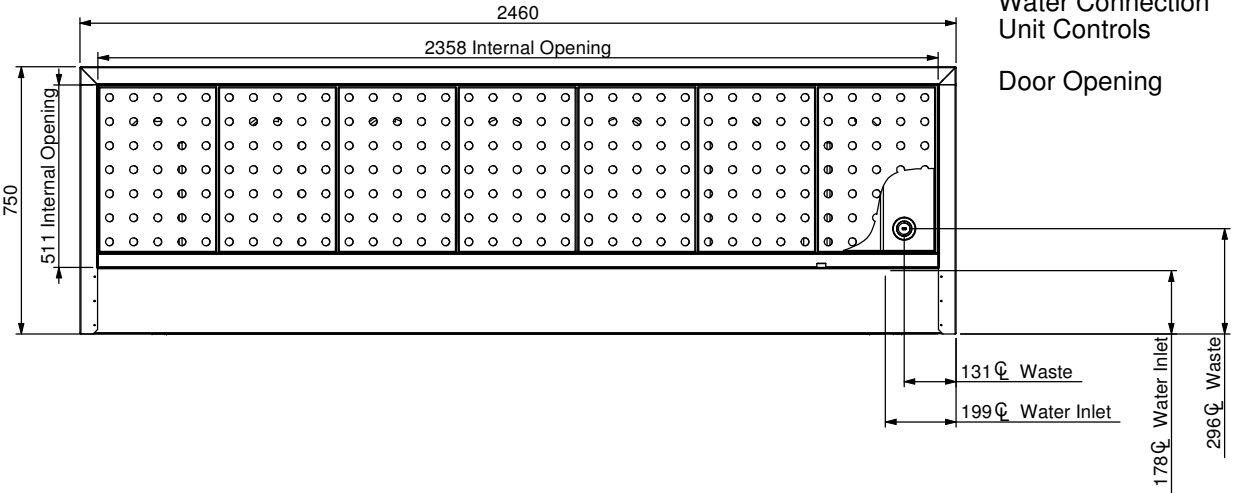


Product Details

Electrical Connection : Supply 3 phase + Neutral + Earth
 : 240V, 50amps, 10050w, Hard Wired
 : 7 elements @ 750w (240V)
 : 2 fan forced heating unit @ 2400w (240V)
 Waste : 40mm with 1 1/2" BSP ball valve
 Overflow : 38mm dia
 Water Connection : 1/2" BSP ball valve
 Unit Controls : Switch for bain marie with electronic thermostat
 : Switch for hotcupboard with electronic thermostat
 Door Opening : 425 x 421 (Ends),
 : 331 x 421 (Middle)



REV.	NAME	DATE	DESCRIPTION
B	N Wooler	15/09/2006	Latest changes implemented

STODDART
 METAL FABRICATORS
 TOM STODDART Pty Ltd ACN 009 690 251
 215 Jackson Rd Sunnybank Hills Qld 4109
 PO Box 420 Sunnybank Qld 4109
 Phone (617) 3345 5011 Fax (617) 3344 1000
 Email sunnybank@stoddart.com.au
Quality in stainless steel

Press:	Programmed by:	Date:	Punch:	Die:
PRODUCT: 7 Mod Underbench Bain Marie Hotcupboard		PART No: CBMH7-U-A001		
DRAWN N Wooler	SIGNATURE	DATE 3/02/2006	UNLESS OTHERWISE SPECIFIED: DIMENSIONS ARE IN MILLIMETERS	
APPVD	MATERIAL: 304 No 4 S/S		DESCRIPTION: General Drawing	
THICKNESS: FINISH: No 4		DWG No: CBMH7-U-D001		REVISION B
DO NOT SCALE DRAWING	This drawing remains the property of Tom Stoddart Pty Ltd & cannot be reproduced without prior permission.			Sheet 1 of 60