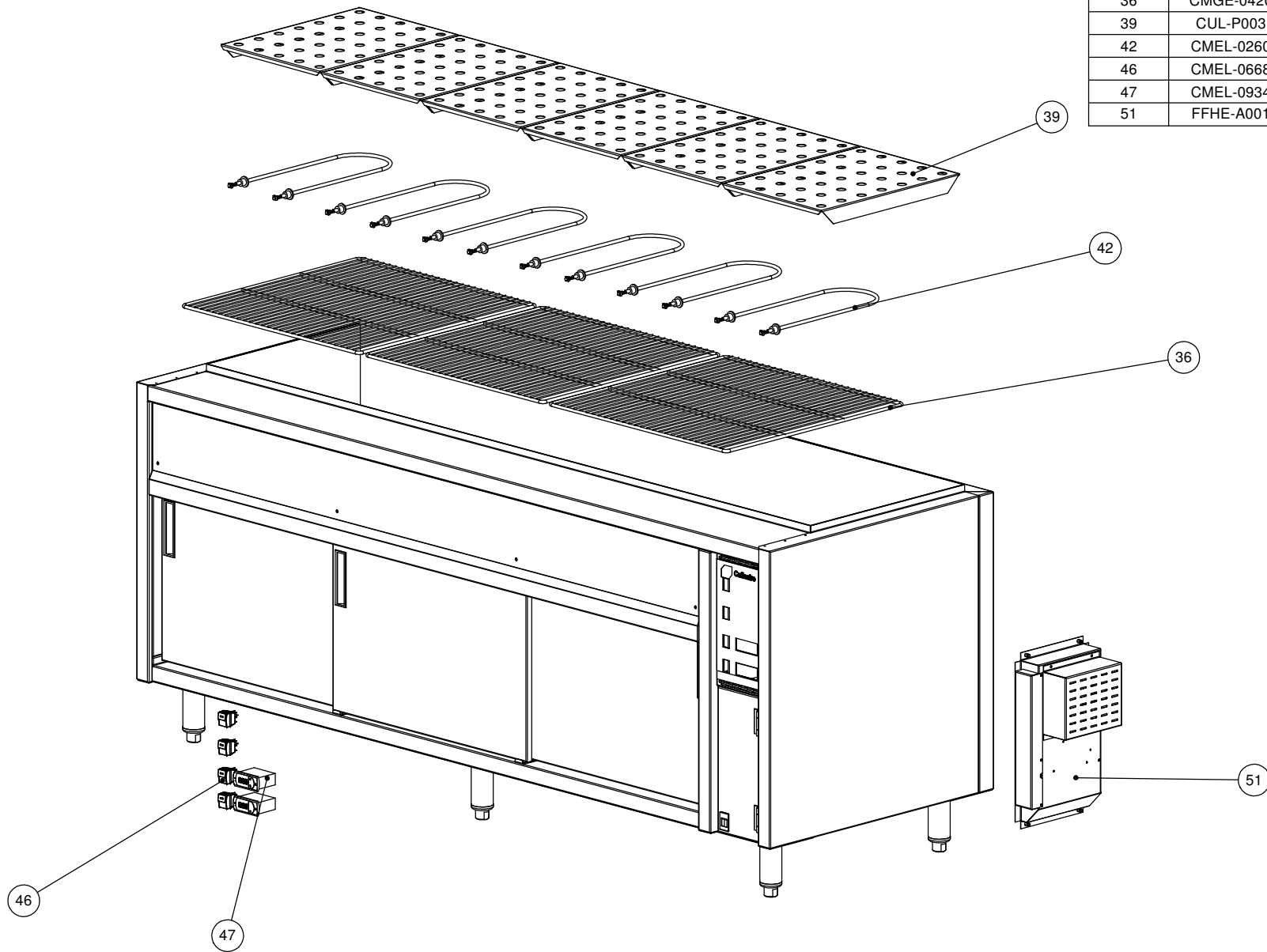


ITEM NO.	PART NUMBER	DESCRIPTION	Spare Parts/QTY.
35	CBMH6-U-P049	Drain Holder Bracket 2	1
36	CMGE-0420	600 x 600 Shelf	3
39	CUL-P003	Element Cover	6
42	CMEL-0260	750w element	6
46	CMEL-0668	Sonar Switch	4
47	CMEL-0934	Carel Controller PYEZONM011	2
51	FFHE-A001	Fan Forced Heating Enclosure	1



REV.	NAME	DATE	DESCRIPTION
C	M Sheehan	26/02/2008	Dixell controllers replaced by Carel
B	N Wooler	15/09/2006	Latest changes implemented

STODDART
METAL FABRICATORS
TOM STODDART Pty Ltd ACN 009 690 251
215 Jackson Rd Sunnybank Hills Qld 4109
PO Box 420 Sunnybank Qld 4109
Phone (617) 3345 5011 Fax (617) 3344 1000
Email sunnybank@stoddart.com.au
Quality in stainless steel

Press:	Programmed by:	Date:	Punch:	Die:
PRODUCT: 6 Mod Underbench Bain Marie Hotcupboard				
DRAWN N Wooler		SIGNATURE	DATE 2/09/2008	UNLESS OTHERWISE SPECIFIED: DIMENSIONS ARE IN MILLIMETERS
APPVD		MATERIAL: 304 No 4 S/S		THICKNESS: FINISH: No 4
DO NOT SCALE DRAWING			This drawing remains the property of Tom Stoddart Pty Ltd & cannot be reproduced without prior permission.	
PART No: CBMH6-U-A001			DESCRIPTION: Spare Parts	
DWG No: CBMH6-U-D001			REVISION C	
A3			Sheet 3 of 61	