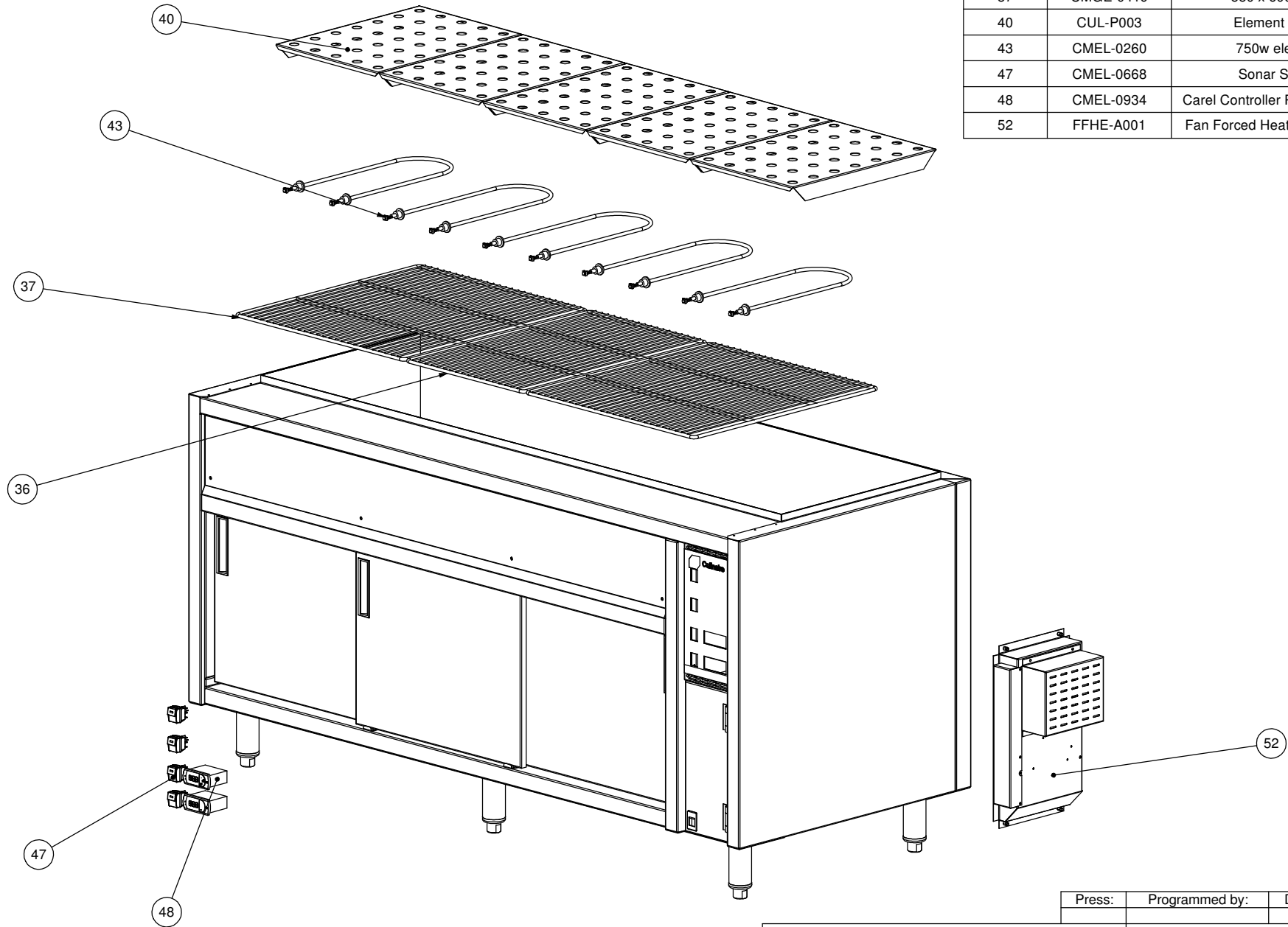


ITEM NO.	PART NUMBER	DESCRIPTION	Spare Parts/QTY.
36	CMGE-0418	385 x 600 Shelf	1
37	CMGE-0419	550 x 600 Shelf	2
40	CUL-P003	Element Cover	5
43	CMEL-0260	750w element	5
47	CMEL-0668	Sonar Switch	4
48	CMEL-0934	Carel Controller PYEZONM011	2
52	FFHE-A001	Fan Forced Heating Enclosure	1



REV.	NAME	DATE	DESCRIPTION
D	M Sheehan	26/02/2008	Dixell controllers replaced by Carel
C	N Wooler	31/08/2006	Latest changes implemented
B	N Wooler	29/06/2005	Redesigned unit


STODDART
METAL FABRICATORS
 TOM STODDART Pty Ltd ACN 009 690 251
 215 Jackson Rd Sunnybank Hills Qld 4109
 PO Box 420 Sunnybank Qld 4109
 Phone (617) 3345 5011 Fax (617) 3344 1000
 Email sunnybank@stoddart.com.au
Quality in stainless steel

Press: _____ Programmed by: _____ Date: _____ Punch: _____ Die: _____			
PRODUCT: 5 Mod Underbench Bain Marie Hotcupboard			PART No: CBMH5-U-A001
DRAWN N Wooler APPVD _____	NAME _____ SIGNATURE _____ DATE 16/12/2008	UNLESS OTHERWISE SPECIFIED: DIMENSIONS ARE IN MILLIMETERS	DESCRIPTION: Spare Parts
MATERIAL: 304 No 4 S/S THICKNESS: _____ FINISH: No 4		DWG No: CBMH5-U-D001	REVISION D
DO NOT SCALE DRAWING		This drawing remains the property of Tom Stoddart Pty Ltd & cannot be reproduced without prior permission.	
		A3	Sheet 3 of 62