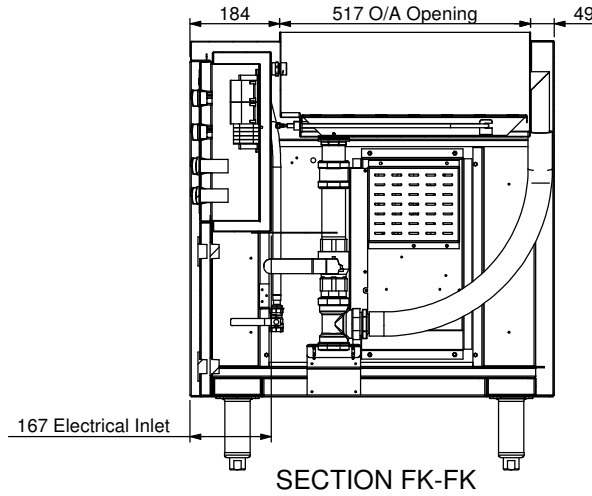
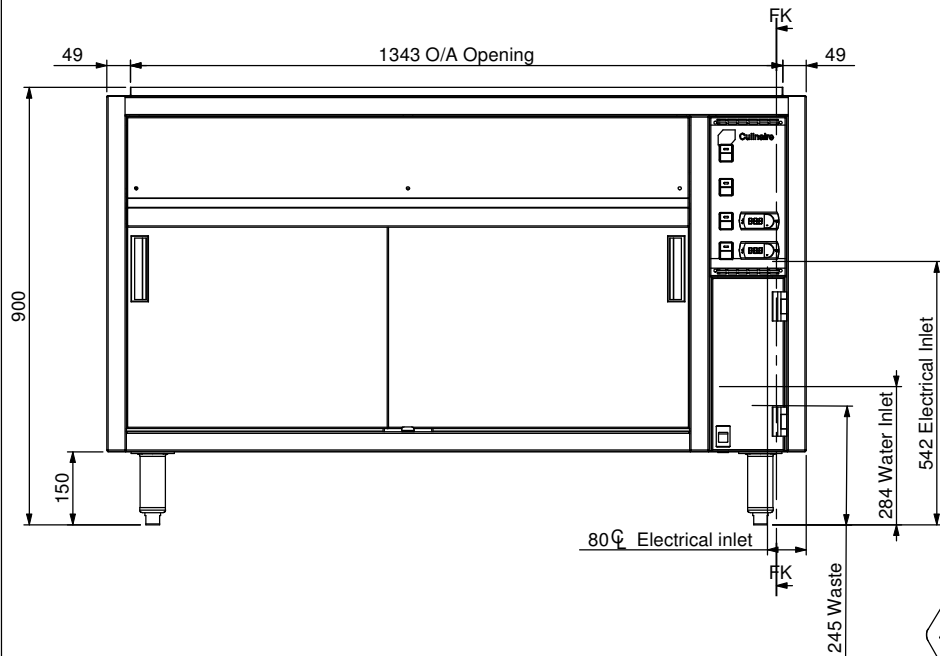
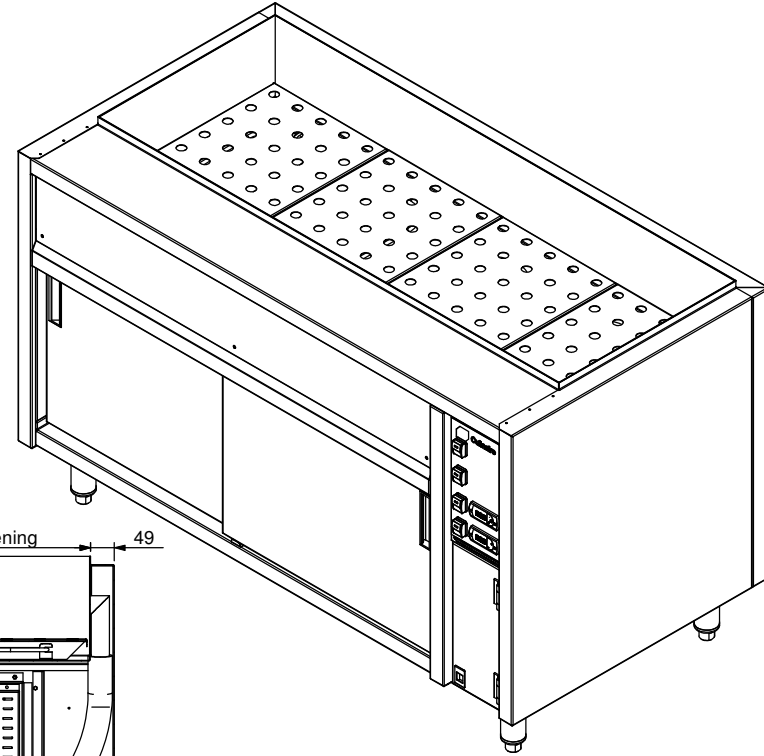
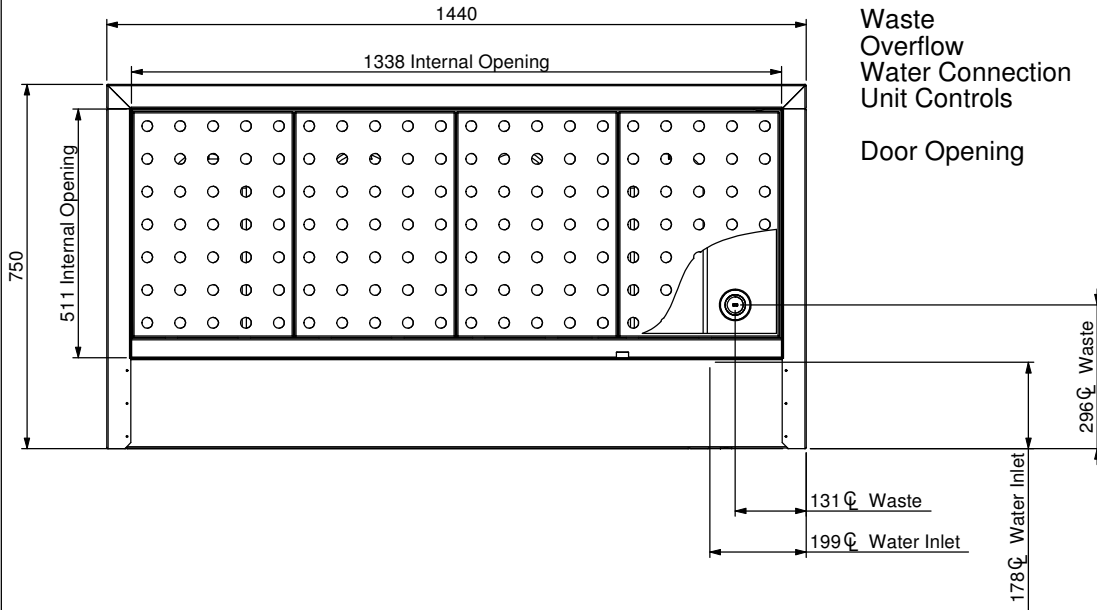


**Product Details**

Electrical Connection : Supply 3 phase + Neutral + Earth  
 : 240v, 25amps, 5400w, Hard Wired  
 : 4 elements @ 750w (240V)  
 : 1 fan forced heating unit @ 2400w (240V)

Waste : 40mm with 1 1/2" BSP ball valve  
 Overflow : 38mm dia  
 Water Connection : 1/2" BSP ball valve  
 Unit Controls : Switch for bain marie with electronic thermostat  
 : Switch for hotcupboard with electronic thermostat

Door Opening : 496 x 421



REV.	NAME	DATE	DESCRIPTION
C	N Wooler	31/08/2006	Latest changes implemented
B	N Wooler	29/06/2005	Redesigned unit

**STODDART**  
 METAL FABRICATORS  
 TOM STODDART Pty Ltd ACN 009 690 251  
 215 Jackson Rd Sunnybank Hills Qld 4109  
 PO Box 420 Sunnybank Qld 4109  
 Phone (617) 3345 5011 Fax (617) 3344 1000  
 Email sunnybank@stoddart.com.au  
*Quality in stainless steel*

Press:		Programmed by:		Date:	Punch:	Die:	
PRODUCT: 4 Mod Underbench Bain Marie Hotcupboard				PART No: <b>CBMH4-U-A001</b>			
DRAWN	N Wooler	SIGNATURE	DATE	UNLESS OTHERWISE SPECIFIED: DIMENSIONS ARE IN MILLIMETERS		DESCRIPTION: General Drawing	
APPVD			1/09/2008	MATERIAL: 304 No 4 S/S		REVISION	
				THICKNESS: FINISH: No 4		DWG No: <b>CBMH4-U-D001</b>	
DO NOT SCALE DRAWING		This drawing remains the property of Tom Stoddart Pty Ltd & cannot be reproduced without prior permission.				A3	Sheet 1 of 59