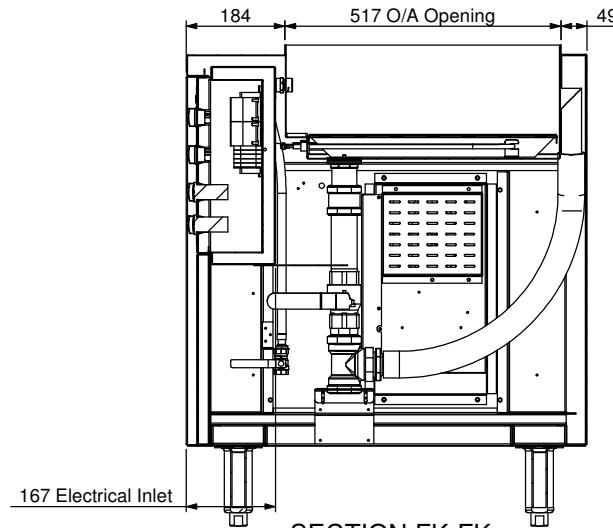
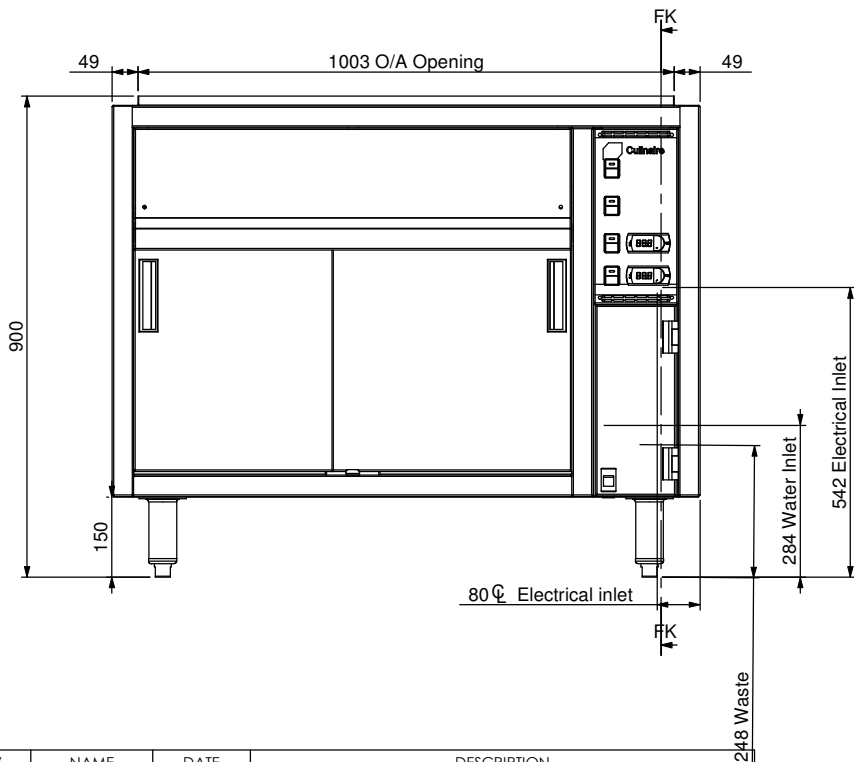
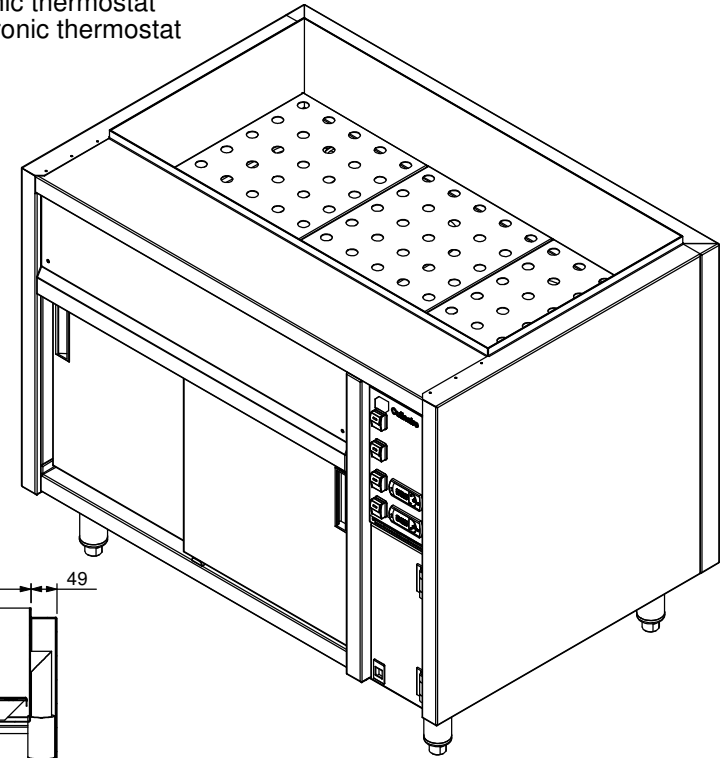


Product Details

- Electrical Connection : Supply 3 phase + Neutral + Earth
- : 240v, 20amps, 4650w, Hard Wired
- : 3 elements @ 750w (240V)
- : 1 fan forced heating unit @ 2400w (240V)
- Waste : 40mm with 1 1/2" BSP ball valve
- Overflow : 38mm dia
- Water Connection : 1/2" BSP ball valve
- Unit Controls : Switch for bain marie with electronic thermostat
- : Switch for hotcupboard with electronic thermostat
- Door Opening : 330 x 421



SECTION FK-FK

Press:	Programmed by:	Date:	Punch:	Die:
--------	----------------	-------	--------	------

STODDART
METAL FABRICATORS
 TOM STODDART Pty Ltd ACN 009 690 251
 215 Jackson Rd Sunnybank Hills Qld 4109
 PO Box 420 Sunnybank Qld 4109
 Phone (617) 3345 5011 Fax (617) 3344 1000
 Email sunnybank@stoddart.com.au
Quality in stainless steel

PRODUCT: 3 Mod Underbench Bain Marie Hotcupboard				PART No: CBMH3-U-A001	
NAME	SIGNATURE	DATE	UNLESS OTHERWISE SPECIFIED: DIMENSIONS ARE IN MILLIMETERS	DESCRIPTION: General Drawing	
DRAWN N Wooler		1/09/2008		DWG No: CBMH3-U-D001	
APPVD			MATERIAL: 304 No 4 S/S	REVISION	
			THICKNESS: FINISH: No 4	B	
DO NOT SCALE DRAWING		This drawing remains the property of Tom Stoddart Pty Ltd & cannot be reproduced without prior permission.			A3
					Sheet 1 of 59

REV.	NAME	DATE	DESCRIPTION
B	N Wooler	29/06/2005	Redesigned unit