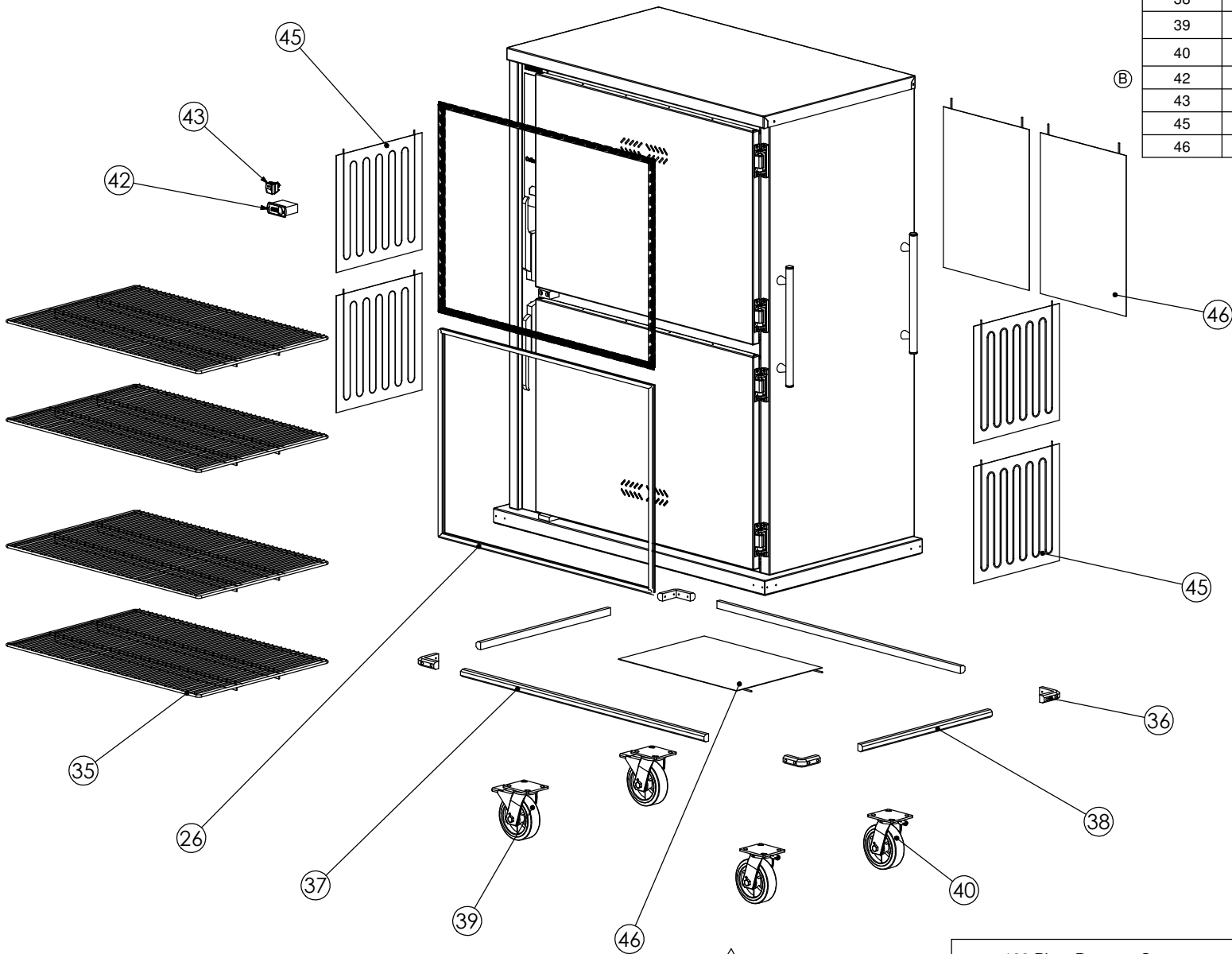


ITEM NO.	PART NUMBER	DESCRIPTION	Spare Parts/QTY.
26	CBC128-P032	Door Gasket CMGE-0412	2
35	CMGE-0013	Shelf, Wire 906 x 612mm	4
36	CMGE-0020	Bumper Corner Interface	4
37	CMGE-0024	Bumper & Ali Channel - 1135mm	2
38	CMGE-0024	Bumper & Ali Channel - 605mm	2
39	CMGE-0045	Castor;150mm;Swivel Plate;Total Brake	2
40	CMGE-0046	Castor;150mm;Swivel Plate;Dir Lock	2
42	CMEL-0934	Carel Controller PYEZONM011	1
43	CMEL-0668	Sonar Switch	1
45	CMEL-0739	400x400mm 250 Watt Heater Pad	4
46	CMEL-0740	550x400mm 340Watt Heater Pad	3



Press:	Programmed by:	Date:	Punch:	Die:
--------	----------------	-------	--------	------

PRODUCT: 128 Plate Banquet Cart				PART No: CBC128-A001	
NAME	SIGNATURE	DATE	UNLESS OTHERWISE SPECIFIED: DIMENSIONS ARE IN MILLIMETERS	DESCRIPTION: Spare Parts	
DRAWN D Bowden		29/08/2006			
APPVD			MATERIAL:	DWG No: CBC128-D001	
			THICKNESS:	REVISION	
			FINISH:	B	
DO NOT SCALE DRAWING		This drawing remains the property of Tom Stoddart Pty Ltd & cannot be reproduced without prior permission.			A3
					Sheet 3 of 49

STODDART
METAL FABRICATORS
TOM STODDART Pty Ltd ACN 009 690 251
215 Jackson Rd Sunnybank Hills Qld 4109
PO Box 420 Sunnybank Qld 4109
Phone (617) 3345 5011 Fax (617) 3344 1000
Email sunnybank@stoddart.com.au
Quality in stainless steel

REV.	NAME	DATE	DESCRIPTION
B	M Sheehan	25/01/2008	Dixell controller replaced by Carel