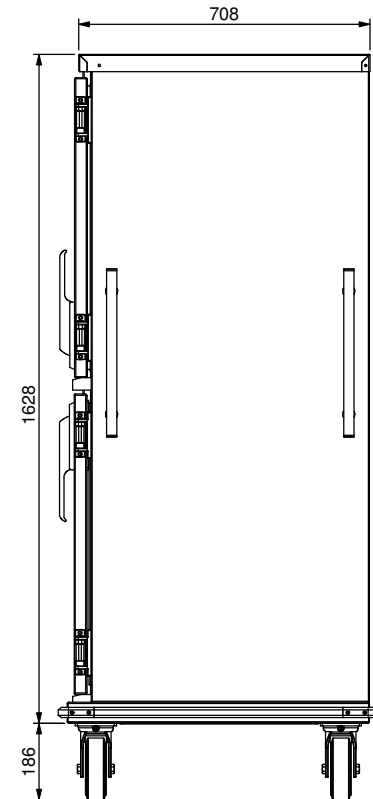
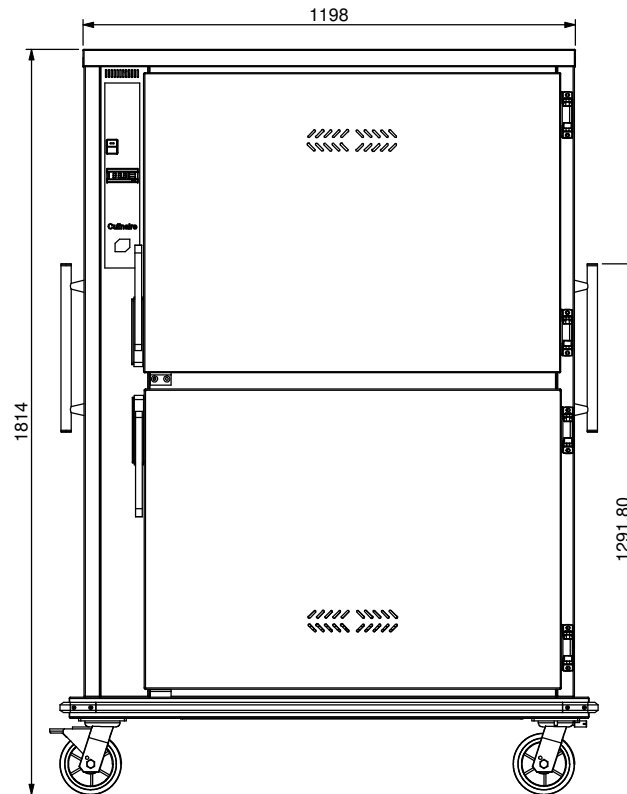
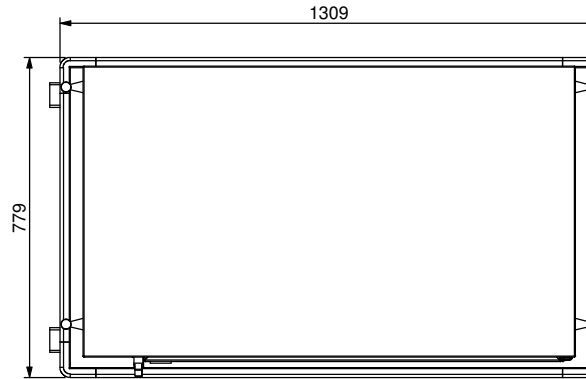
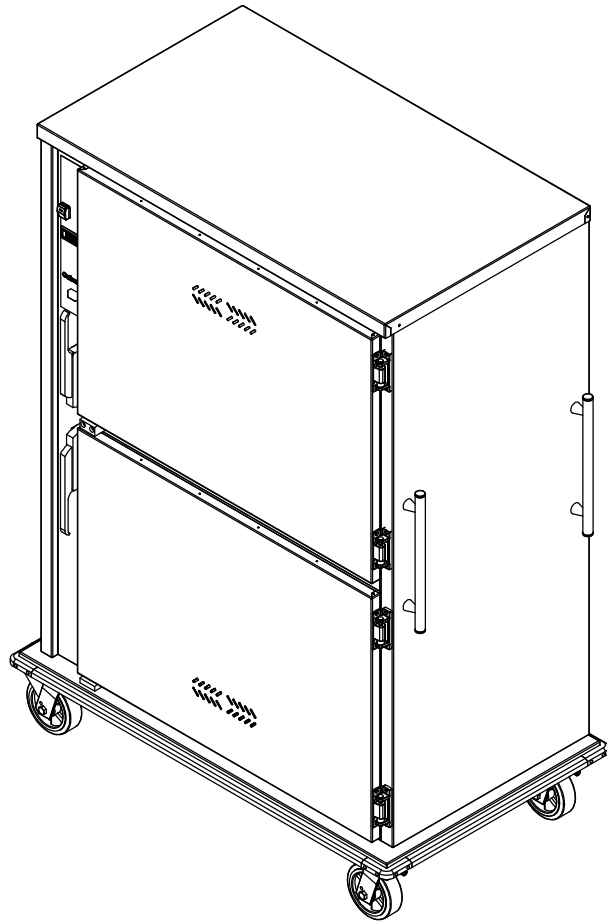


Product Details

Electrical Connection : 10 Amp Plug and Lead
 Electrical Rating : 240V, 8.5A, 2020W
 : 4 x 250W Heater Pads (side panels)
 : 1 x 340W Heater Pads (base panel)
 : 2 x 340W Heater Pads (rear panel)
 Unit Controls : Switch with electronic thermostat



REV.	NAME	DATE	DESCRIPTION
E	M Sheehan	30/07/2007	Rear heating panel added
D	C Johnson	15/09/2006	Venting for the control Panel added and supports for the insulation added.
C	D Bowden	29/06/2006	O/A Height Change, Internal Cabinet Length Change & Probe Recess Added



STODDART
 METAL FABRICATORS
 TOM STODDART Pty Ltd ACN 009 690 251
 215 Jackson Rd Sunnybank Hills Qld 4109
 PO Box 420 Sunnybank Qld 4109
 Phone (617) 3345 5011 Fax (617) 3344 1000
 Email sunnybank@stoddart.com.au
Quality in stainless steel

PRODUCT: 128 Plate Banquet Cart PART No: CBC128-A001 DESCRIPTION: General Drawing DWG No: CBC128-D001 REVISION E				Press: Programmed by: Date: Punch: Die:
DRAWN D Bowden APPVD	NAME SIGNATURE DATE 29/08/2006	UNLESS OTHERWISE SPECIFIED: DIMENSIONS ARE IN MILLIMETERS MATERIAL: THICKNESS: FINISH:	This drawing remains the property of Tom Stoddart Pty Ltd & cannot be reproduced without prior permission.	
DO NOT SCALE DRAWING	A3		Sheet 1 of 49	