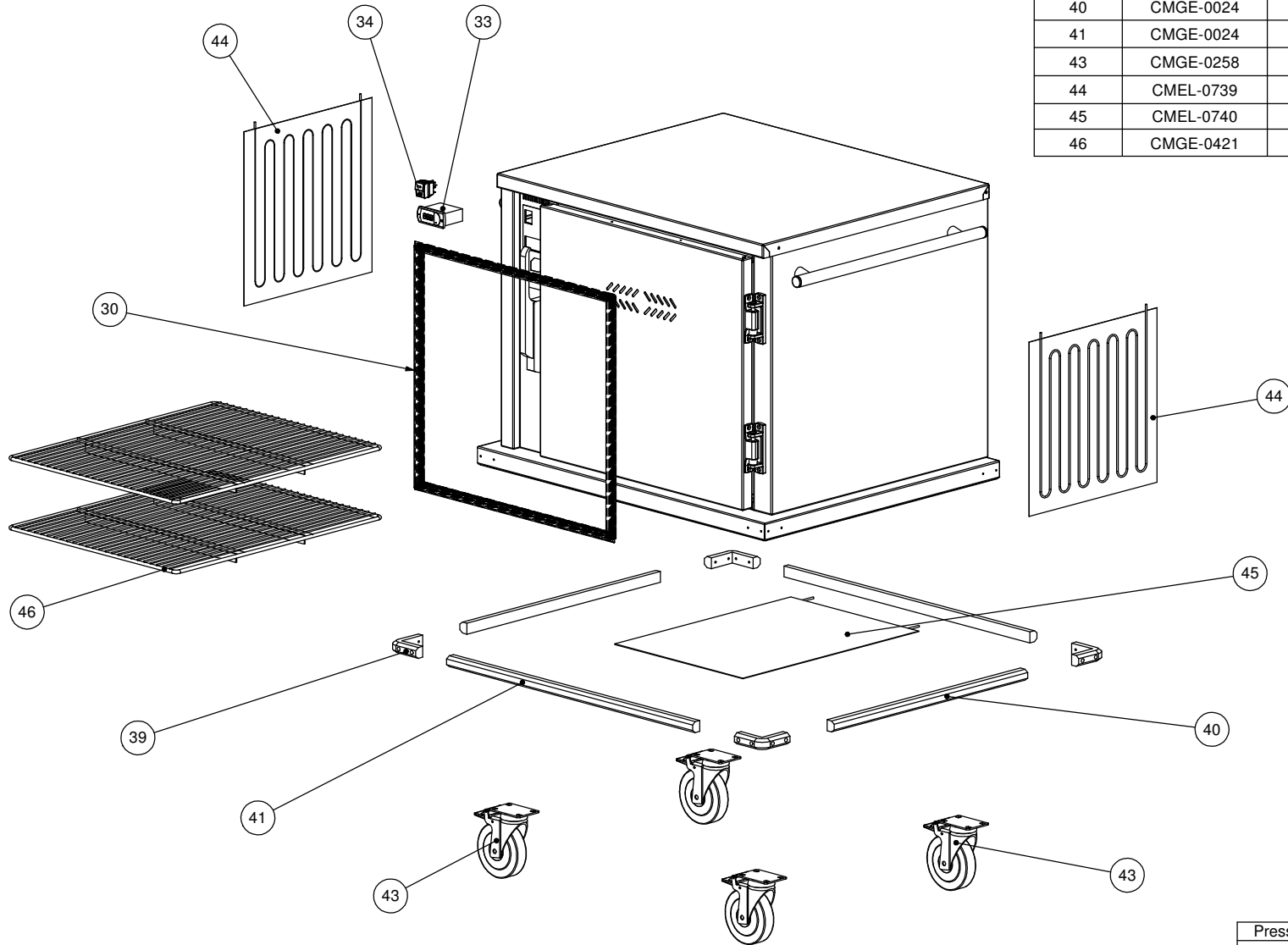


ITEM NO.	PART NUMBER	DESCRIPTION	Spare Parts View/QTY.
30	CBC1211-P033	Door Gasket CMGE-0412	1
33	CMEL-0934	Carel Controller PYEZONM011	1
34	CMEL-0668	Sonar Switch	1
37	CMGE-0270	Door Catch Magnetic Edgemount	1
39	CMGE-0020	Bumper Corner Interface	4
40	CMGE-0024	CBC1211 - 605mm	2
41	CMGE-0024	CBC1211 - 769mm	2
43	CMGE-0258	Castor;125mm;Swivel Plate;Total Brake	4
44	CMEL-0739	400x400mm 250 Watt Heater Pad	2
45	CMEL-0740	550x400mm 340Watt Heater Pad	1
46	CMGE-0421	530 x 650 Wire Shelf	2

(B)



Press:	Programmed by:	Date:	Punch:	Die:
--------	----------------	-------	--------	------

STODDART
METAL FABRICATORS
 TOM STODDART Pty Ltd ACN 009 690 251
 215 Jackson Rd Sunnybank Hills Qld 4109
 PO Box 420 Sunnybank Qld 4109
 Phone (617) 3345 5011 Fax (617) 3344 1000
 Email sunnybank@stoddart.com.au
Quality in stainless steel

PRODUCT: Undercounter Gastronorm Banquet Cart				PART No: CBC1211-A001	
NAME	SIGNATURE	DATE	UNLESS OTHERWISE SPECIFIED: DIMENSIONS ARE IN MILLIMETERS	DESCRIPTION: Spare Parts	
DRAWN C Booth		4/10/2004			
APPVD			MATERIAL:	REVISION	
			THICKNESS:	DWG No: CBC1211-D001	
			FINISH:	B	
DO NOT SCALE DRAWING			This drawing remains the property of Tom Stoddart Pty Ltd & cannot be reproduced without prior permission.		

REV.	NAME	DATE	DESCRIPTION
B	M Sheehan	25/01/2008	Dixell controller replaced by Carel