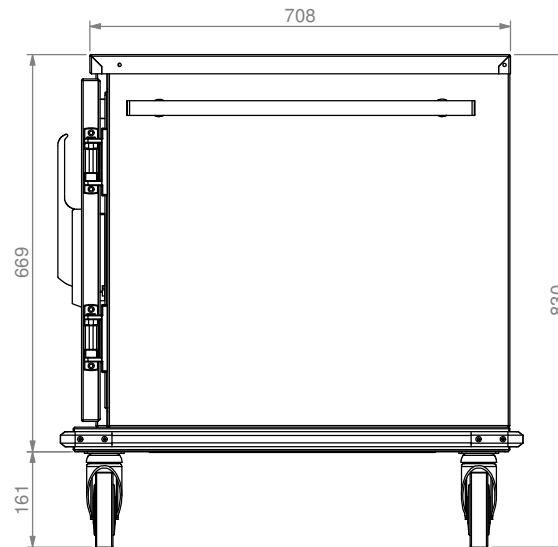
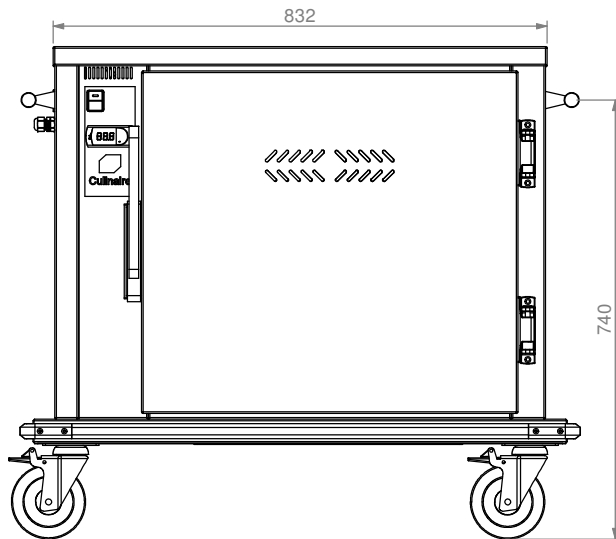
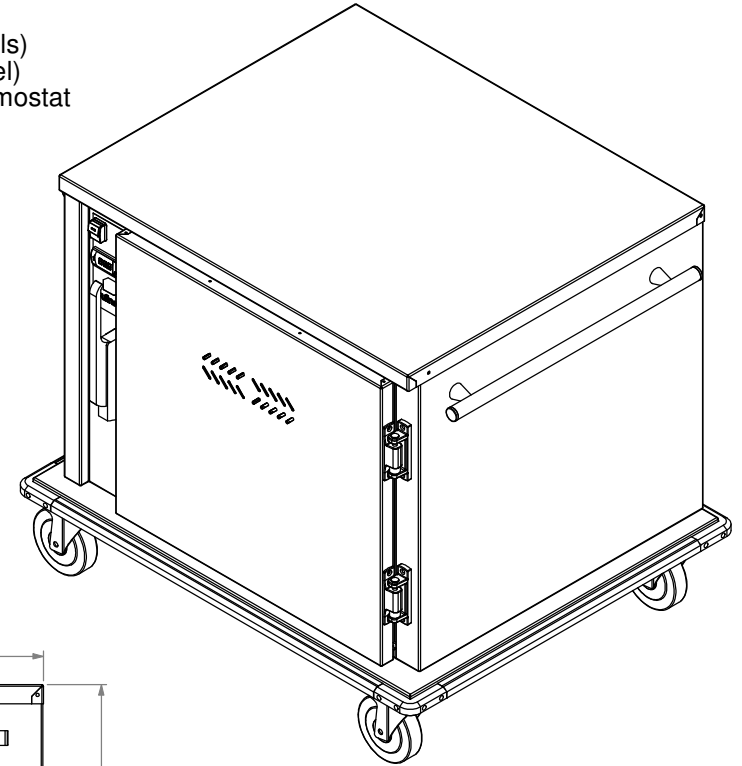


Product Details

Electrical Connection : 10Amp Plug and Lead (supplied)
 Electrical Rating : 240V, 3.5A, 840W
 : 2 heater pads @ 250w (side panels)
 : 1 Heater pad @ 340W (base panel)
 Unit Controls : On/Off Switch with electronic thermostat



Press:	Programmed by:	Date:	Punch:	Die:
--------	----------------	-------	--------	------

STODDART
MANUFACTURING
 TOM STODDART Pty Ltd ACN 009 690 251
 215 Jackson Rd Sunnybank Hills Qld 4109
 P.O. Box 420 Sunnybank Qld 4109
 Phone: (617) 3344 2444 Fax: (617) 3344 6403
 Email: sunnybank@stoddart.com.au
Quality in stainless steel

PRODUCT: Undercounter Gastronorm Banquet Cart				PART No: CBC1211-A001	
NAME	SIGNATURE	DATE	UNLESS OTHERWISE SPECIFIED: DIMENSIONS ARE IN MILLIMETERS	DESCRIPTION: General Drawing	
DRAWN C Booth		2/04/2009		DWG No: CBC1211-D001	
APPVD			MATERIAL:	REVISION	
Weight: 82937.74 kg	DO NOT SCALE DRAWING	Surface Area: 20271001.40 M2	THICKNESS:	B	
			FINISH:	A3	
This drawing remains the property of Tom Stoddart Pty Ltd & cannot be reproduced without prior permission.				Sheet 1 of 42	