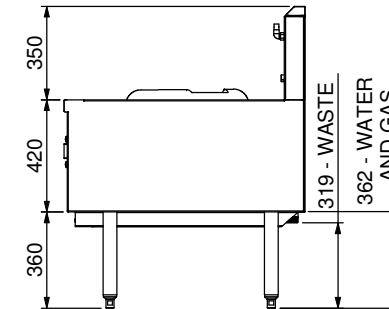
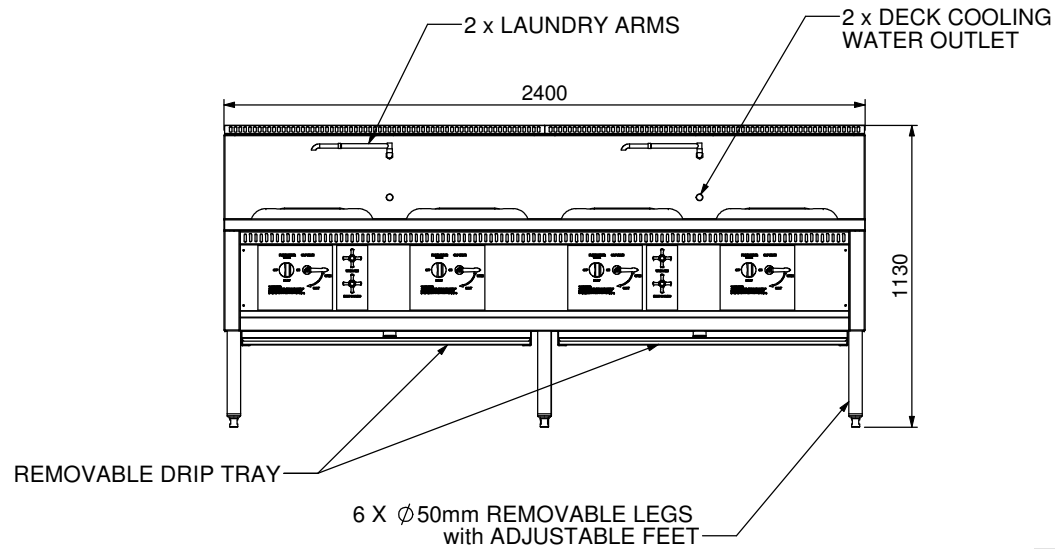
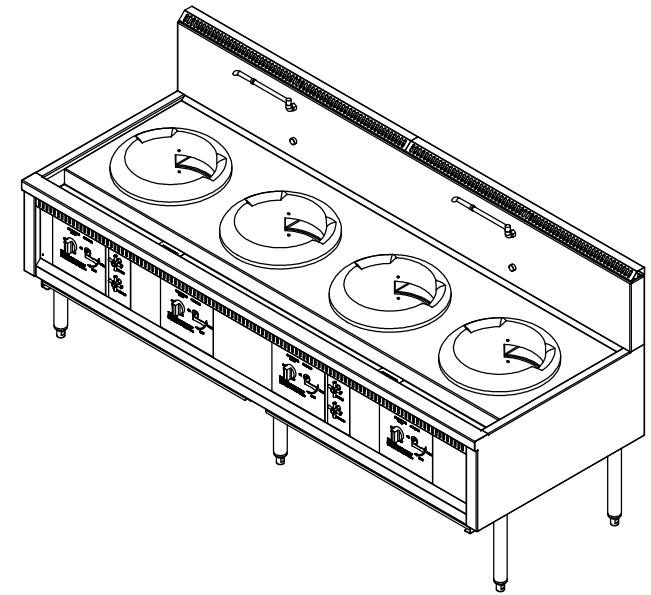
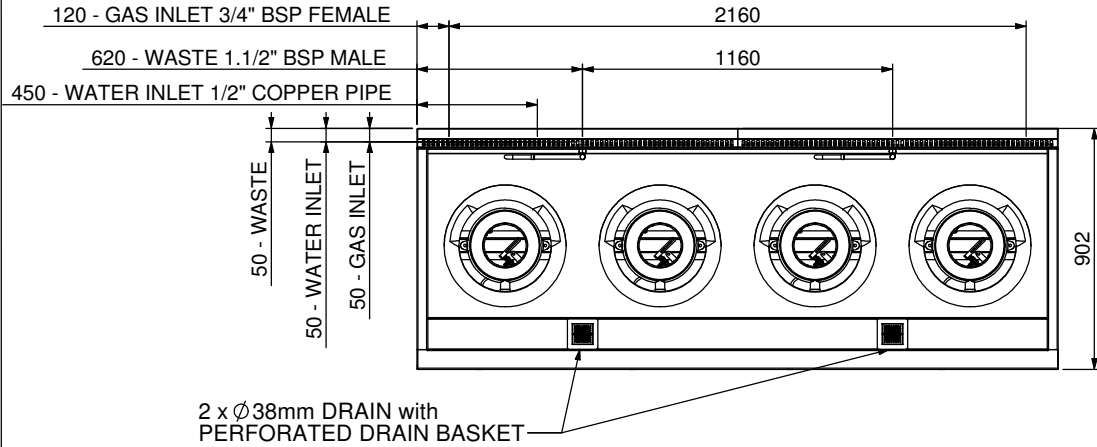


**Product Details**

- Gas : LPG or Natural Gas
- Waste : 2 x 40mm with 1 1/2" BSP Male
- Water Connection : 1/2" Copper Pipe
- Gas Connection : 2x 3/4" BSP Female
- Unit Controls : Tap for Wash Arm & Cooling Deck
- : Handles For Gas Valve
- : Knobs For Flame Failure



Press:	Programmed by:	Date:	Punch:	Die:
--------	----------------	-------	--------	------

PRODUCT: Four Ring Asian Cooking Table				PART No: <b>CACT4-g001</b>	
DRAWN	D Bowden	SIGNATURE	DATE	UNLESS OTHERWISE SPECIFIED: DIMENSIONS ARE IN MILLIMETERS	
APPVD			30/05/2008	DESCRIPTION: General Drawing	
			MATERIAL:	REVISION	
			THICKNESS:	DWG No: <b>CACT4-d001</b>	
			FINISH:	<b>B</b>	
DO NOT SCALE DRAWING		This drawing remains the property of Tom Stoddart Pty Ltd & cannot be reproduced without prior permission.			A3
					Sheet 1 of 44

**STODDART**  
METAL FABRICATORS

TOM STODDART Pty Ltd ACN 009 690 251  
215 Jackson Rd Sunnybank Hills Qld 4109  
PO Box 420 Sunnybank Qld 4109  
Phone (617) 3345 5011 Fax (617) 3344 1000  
Email sunnybank@stoddart.com.au

*Quality in stainless steel*

REV.	NAME	DATE	DESCRIPTION
B	D Bowden	7/12/2006	Second Gas Inlet Added, Pilots Position, End Leg Position & Splashback Height Changed