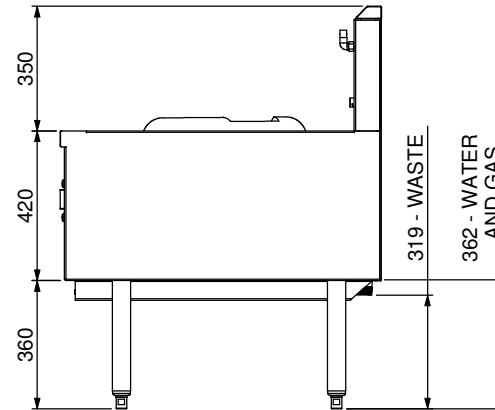
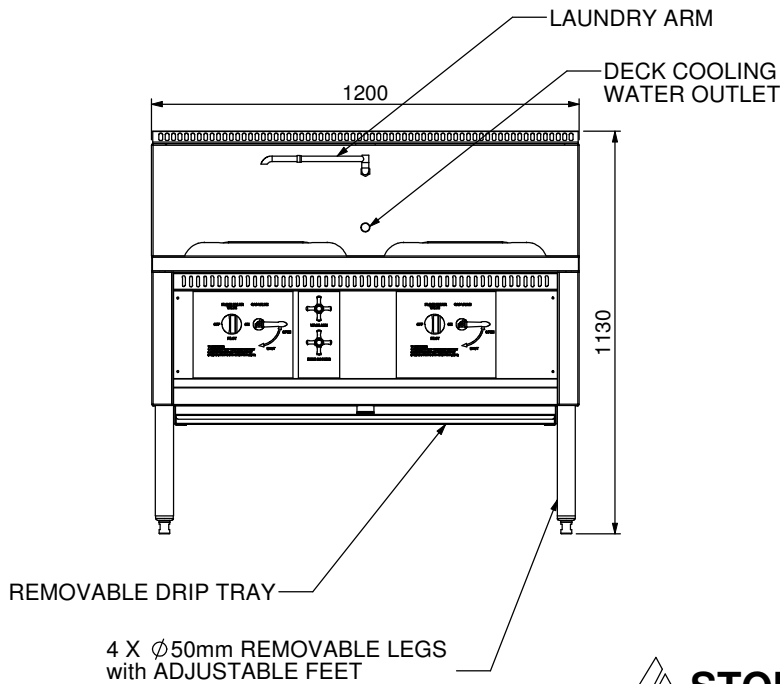
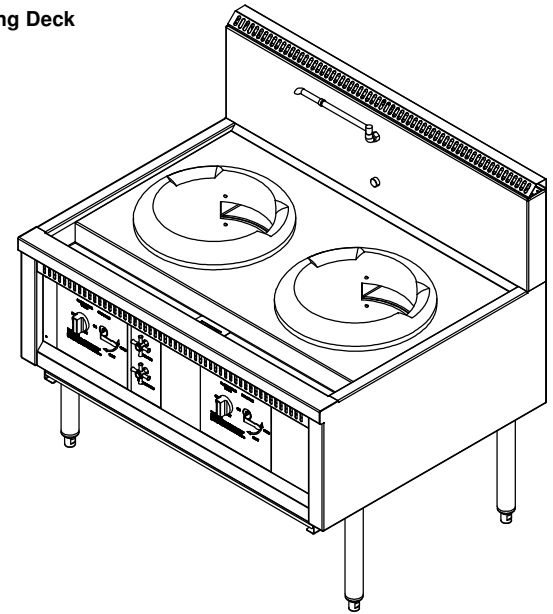


Ø38mm DRAIN with PERFORATED DRAIN BASKET

**Product Details**

- Gas : LPG or Natural Gas
- Waste : 40mm with 1 1/2" BSP Male
- Water Connection : 1/2" Copper Pipe
- Gas Connection : 3/4" BSP Female
- Unit Controls : Tap for Wash Arm & Cooling Deck
- : Handles For Gas Valve
- : Knobs For Flame Failure



Press:	Programmed by:	Date:	Punch:	Die:
--------	----------------	-------	--------	------

PRODUCT: Two Ring Asian Cooking Table				PART No: <b>CACT2-g001</b>	
NAME	SIGNATURE	DATE	UNLESS OTHERWISE SPECIFIED: DIMENSIONS ARE IN MILLIMETERS	DESCRIPTION: General Drawing	
DRAWN: C Johnson		30/05/2008			
APPVD			MATERIAL:	DWG No: <b>CACT2-d001</b>	
			THICKNESS:	REVISION	
			FINISH:	B	
DO NOT SCALE DRAWING	This drawing remains the property of Tom Stoddart Pty Ltd & cannot be reproduced without prior permission.			A3	Sheet 1 of 42

**STODDART**  
METAL FABRICATORS  
TOM STODDART Pty Ltd ACN 009 690 251  
215 Jackson Rd Sunnybank Hills Qld 4109  
PO Box 420 Sunnybank Qld 4109  
Phone (617) 3345 5011 Fax (617) 3344 1000  
Email sunnybank@stoddart.com.au  
*Quality in stainless steel*

REV.	NAME	DATE	DESCRIPTION
C	D Bowden	12/09/2006	Drain Cup, Basket & Removable Legs Added, Pilot Bracket Position Changed & Splashback Height