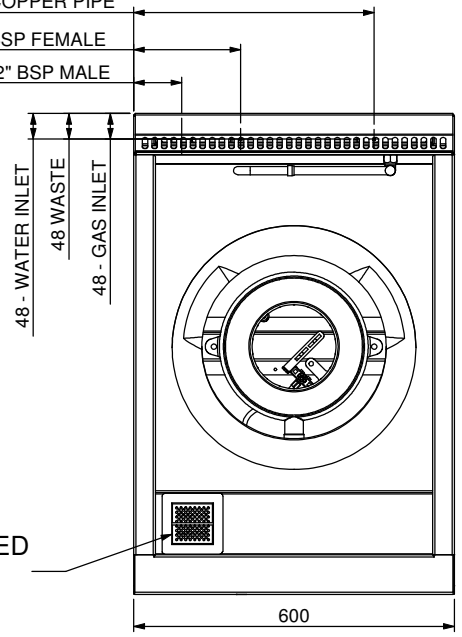


450 - WATER INLET 1/2" COPPER PIPE

200 - GAS INLET 3/4" BSP FEMALE

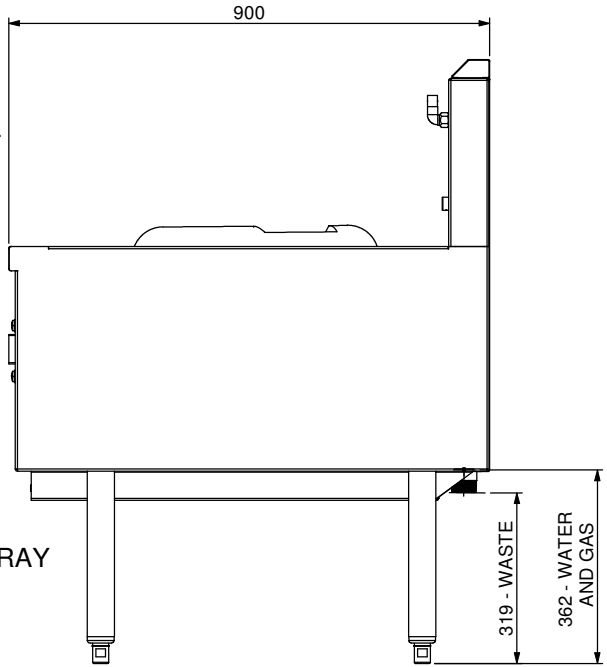
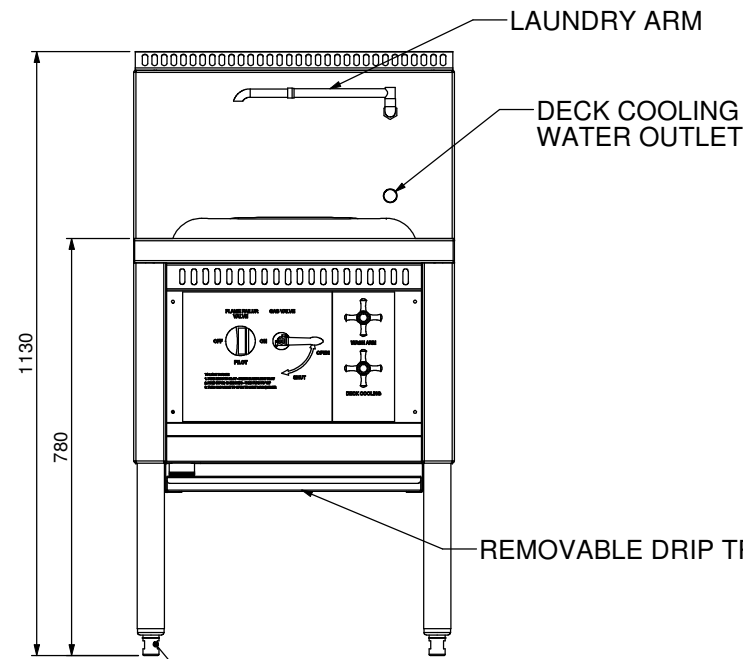
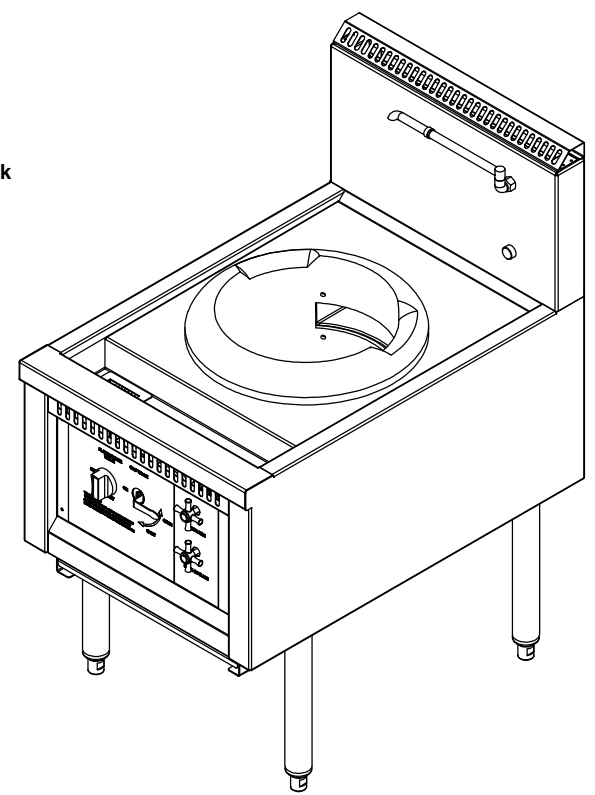
90 - WASTE 1 1/2" BSP MALE



Ø38mm DRAIN with PERFORATED DRAIN BASKET

Product Details

- Gas : LPG or Natural Gas
- Waste : 40mm with 1 1/2" BSP Male
- Water Connection : 1/2" Copper Pipe
- Gas Connection : 3/4" BSP Female
- Unit Controls : Tap for Wash Arm & Cooling Deck
- : Handles For Gas Valve
- : Knobs For Flame Failure



4 x Ø50mm LEGS with ADJUSTABLE FEET

REV.	NAME	DATE	DESCRIPTION
C	D Bowden	8/01/2007	Polit Position & Splashback Height Changed
B	D Bowden	13/09/2006	Drain Cup & Basket Added

STODDART
METAL FABRICATORS
TOM STODDART Pty Ltd ACN 009 690 251
215 Jackson Rd Sunnybank Hills Qld 4109
PO Box 420 Sunnybank Qld 4109
Phone (617) 3345 5011 Fax (617) 3344 1000
Email sunnybank@stoddart.com.au
Quality in stainless steel

PRODUCT: Single Ring Asian CookingTable				PART No: CACT1-g001	
NAME	SIGNATURE	DATE	UNLESS OTHERWISE SPECIFIED: DIMENSIONS ARE IN MILLIMETERS	DESCRIPTION: General Drawing	
DRAWN	C Johnson	30/05/2008		DWG No: CACT1-d001	
APPVD			MATERIAL:	REVISION	
			THICKNESS:	C	
			FINISH:	A3	
DO NOT SCALE DRAWING			This drawing remains the property of Tom Stoddart Pty Ltd & cannot be reproduced without prior permission.		
			Sheet 1 of 40		