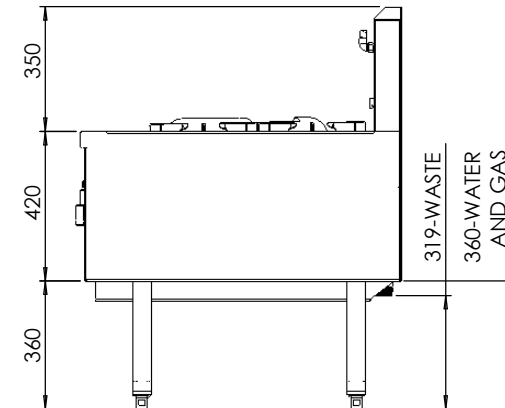
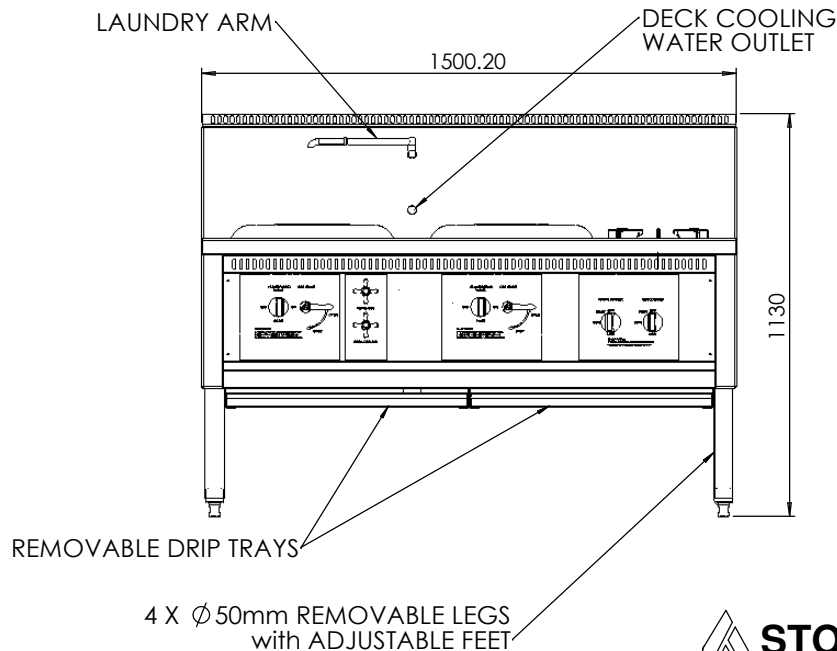
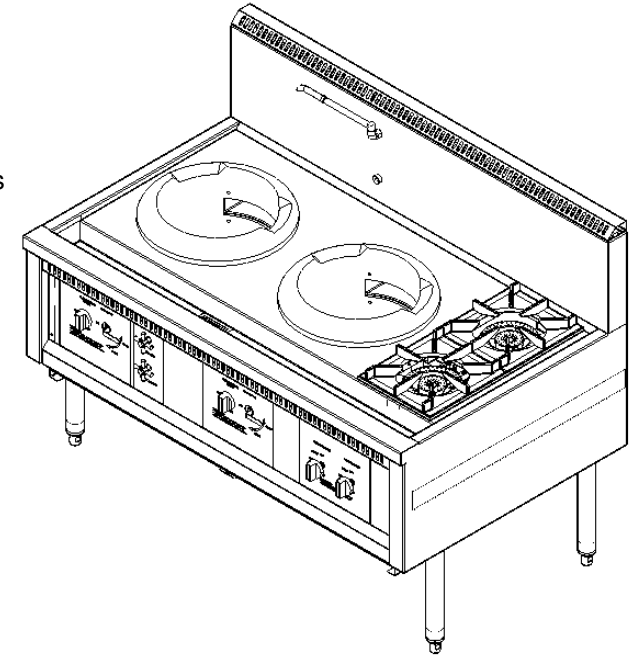
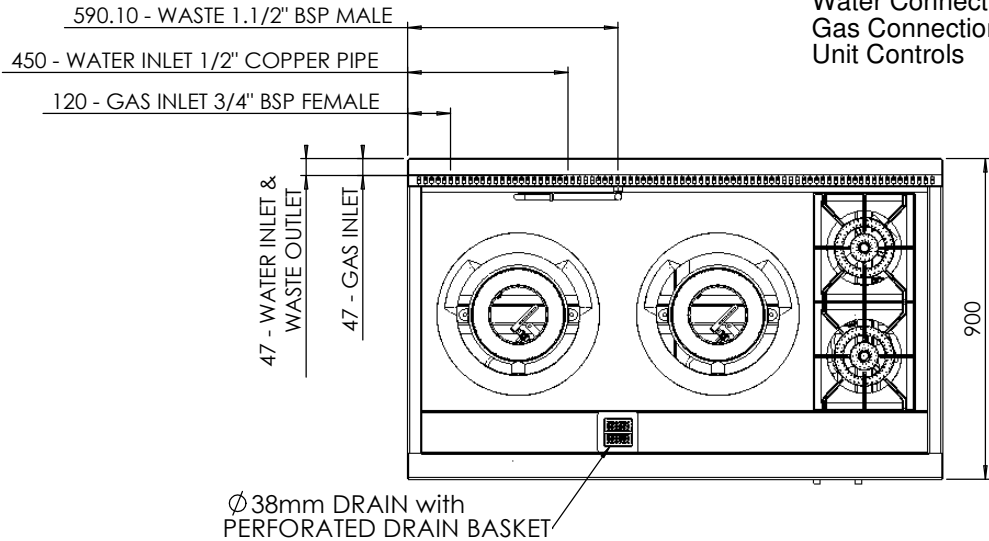


Product Details

Gas
Waste
Water Connection
Gas Connection
Unit Controls

: LPG or Natural Gas
: 40mm with 1 1/2" BSP Male
: 1/2" Copper Pipe
: 3/4" BSP Female
: Tap for Wash Arm & Cooling Deck
: Handles for Gas Valves
: Knobs for Flame Failure - Wok Rings
: Knobs for Boiler Plates



Press:	Programmed by:	Date:	Punch:	Die:
--------	----------------	-------	--------	------

PRODUCT: Two Ring Twin Boiler Asian Cooking Table				PART No: CACT-2-2B-A001	
DRAWN	NAME	SIGNATURE	DATE	UNLESS OTHERWISE SPECIFIED: DIMENSIONS ARE IN MILLIMETERS	
APPVD			30/05/2008	DESCRIPTION: General Drawing	
			MATERIAL: Material <not specified>		REVISION
			THICKNESS:		DWG No: CACT-2-2B-D001
			FINISH:		B
DO NOT SCALE DRAWING		This drawing remains the property of Tom Stoddart Pty Ltd & cannot be reproduced without prior permission.			A3
					Sheet 1 of 59

STODDART
METAL FABRICATORS
TOM STODDART Pty Ltd ACN 009 690 251
215 Jackson Rd Sunnybank Hills Qld 4109
PO Box 420 Sunnybank Qld 4109
Phone (617) 3345 5011 Fax (617) 3344 1000
Email sunnybank@stoddart.com.au
Quality in stainless steel

REV.	NAME	DATE	DESCRIPTION
B	D Bowden	31/01/2007	Length & Height Changed, Removable Legs & Flexible Gas Line Added