

Product Details:

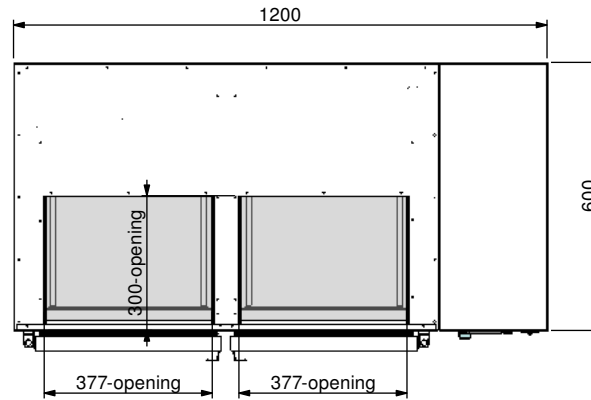
Cabinet Panels: 0.9 No4 S/S
insulated with polystyrene foam

Glass Racks: 1.2 304 No4 S/S
to suit 14" x 17" basket

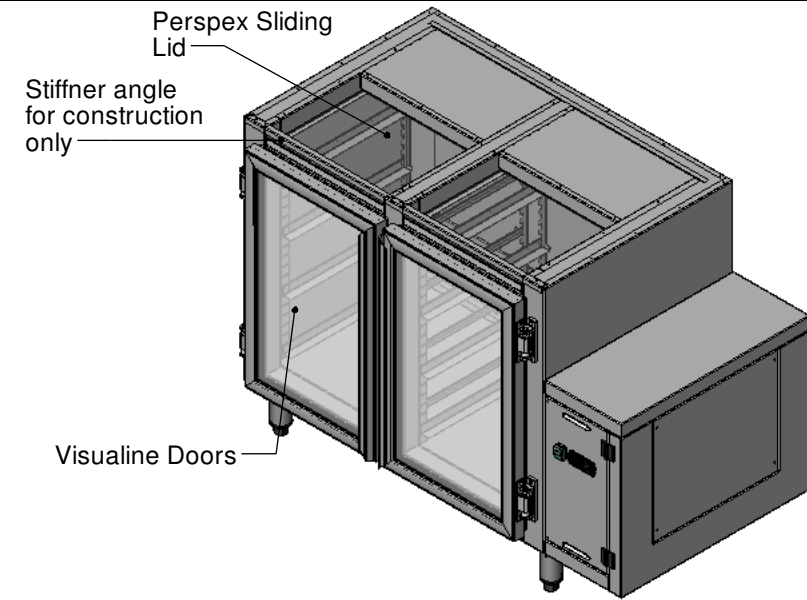
Doors: Visualine Doors-Triple glazed

Refrigeration: Remote
Kirby cross fin coil(4V83M0760D)
Gas Type: R404A
Orifice: 2

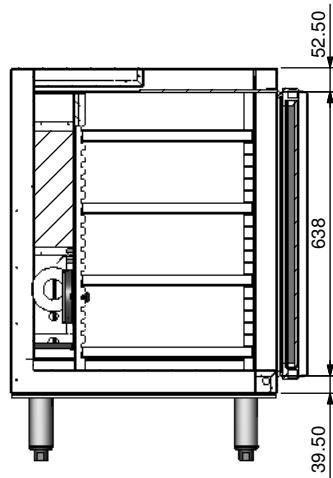
Electrical: Single Phase,10a,240v
2 of 12v fans
On/Off switch
Digital Thermostat



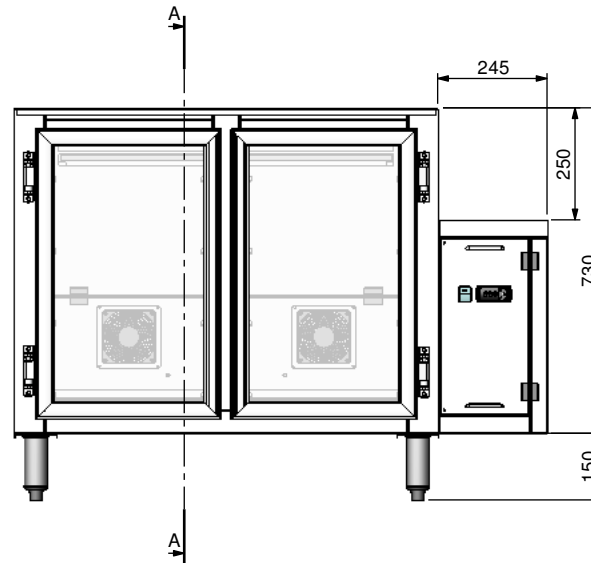
Top View



Isometric View



SECTION A-A



Front View

ITEM: W/O:
Glass Chiller-R/H

Project -

STODDART
METAL FABRICATORS
TOM STODDART Pty Ltd ACN 009 690 251
215 Jackson Rd Sunnybank Hills Qld 4109
PO Box 420 Sunnybank Qld 4109
Phone (617) 3345 5011 Fax (617) 3344 1000
Email sunnybank@stoddart.com.au
Quality in stainless steel

Press:		Programmed by:	Date:	Punch:	Die:
PRODUCT: Glass Chiller-R/H		PART No: SPRF-GC-2D-R-SL-a001			
DRAWN P.James	SIGNATURE	DATE 16/02/2009	UNLESS OTHERWISE SPECIFIED: DIMENSIONS ARE IN MILLIMETERS		
APPVD	MATERIAL:		DESCRIPTION: Glass Chiller		
DO NOT SCALE DRAWING		THICKNESS:		DWG No: SPRF-GC-2D-R-SL-d001	
This drawing remains the property of Tom Stoddart Pty Ltd & cannot be reproduced without prior permission.		FINISH:		REVISION A	
			A3		Sheet 1 of 48