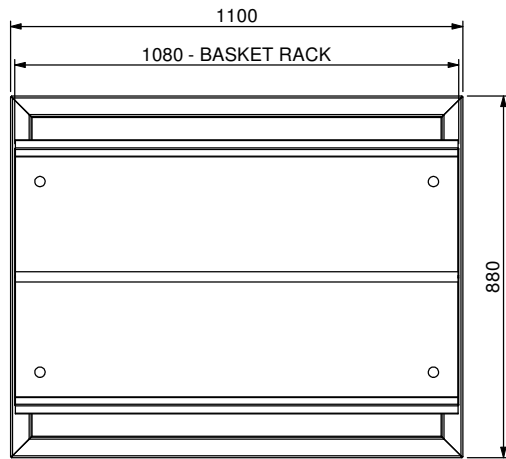
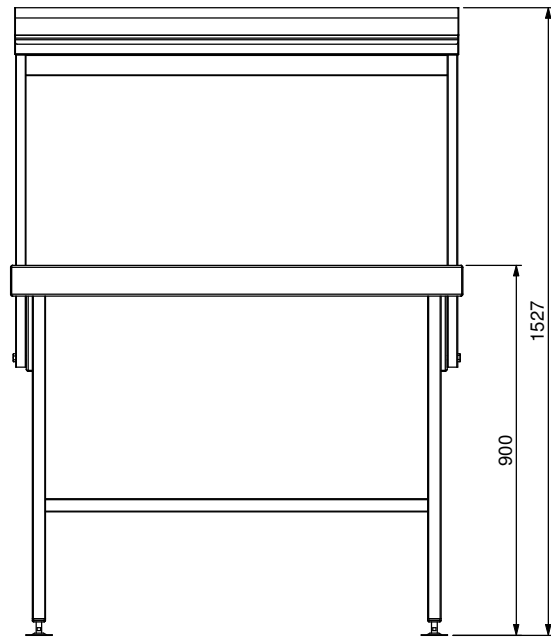


SPDH-FE-SS-1100-880-L

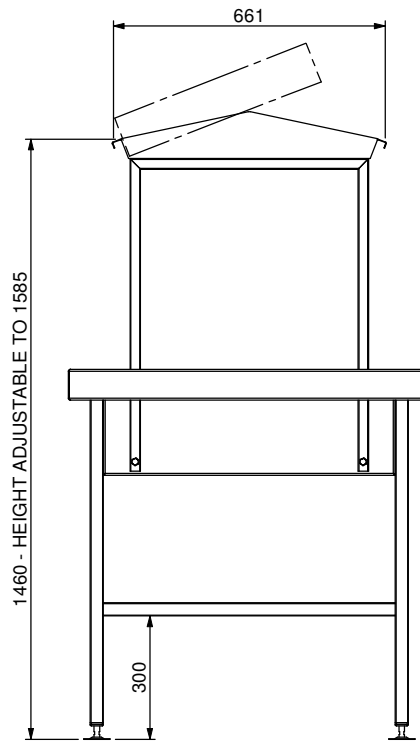


PLAN

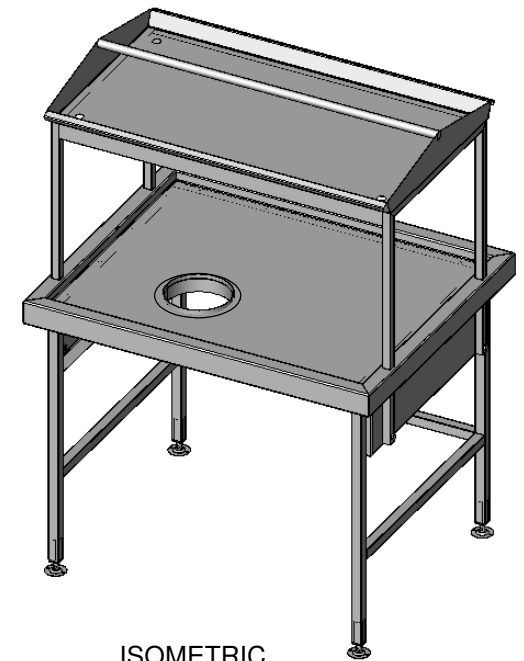


FRONT ELEVATION

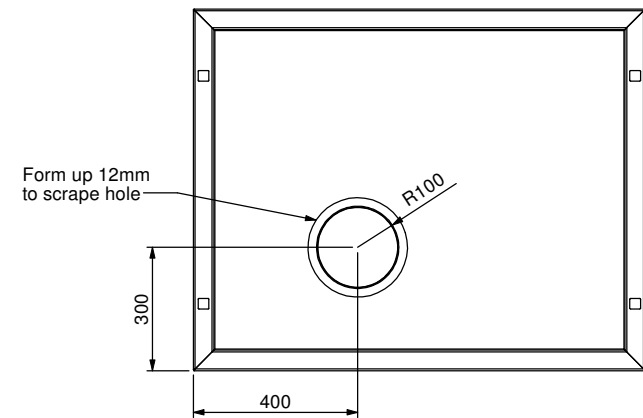
All 304 No.4 Finish Stainless Steel



END ELEVATION



ISOMETRIC



PLAN WITHOUT BASKET RACK

Press:	Programmed by:	Date:	Punch:	Die:
--------	----------------	-------	--------	------

**STODDART MANUFACTURING**  
 TOM STODDART Pty Ltd ACN 009 690 251  
 215 Jackson Rd Sunnybank Hills Qld 4109  
 PO Box 420 Sunnybank Qld 4109  
 Phone (617) 3345 5011 Fax (617) 3344 1000  
 Email sunnybank@stoddart.com.au  
*Quality in stainless steel*

PRODUCT: STRIPPING BENCH FREE STANDING				PART No: <b>SPDH-FS-SS-1100-880-La001a</b>	
NAME	SIGNATURE	DATE	UNLESS OTHERWISE SPECIFIED: DIMENSIONS ARE IN MILLIMETERS	DESCRIPTION:	
DRAWN M Watts		4/12/2008		DWG No: <b>SPDH-FS-SS-1100-880-Ld001a</b>	
APPVD			MATERIAL:	REVISION	
			THICKNESS:	A	
			FINISH:	Sheet 2 of 18	
DO NOT SCALE DRAWING			This drawing remains the property of Tom Stoddart Pty Ltd & cannot be reproduced without prior permission.		