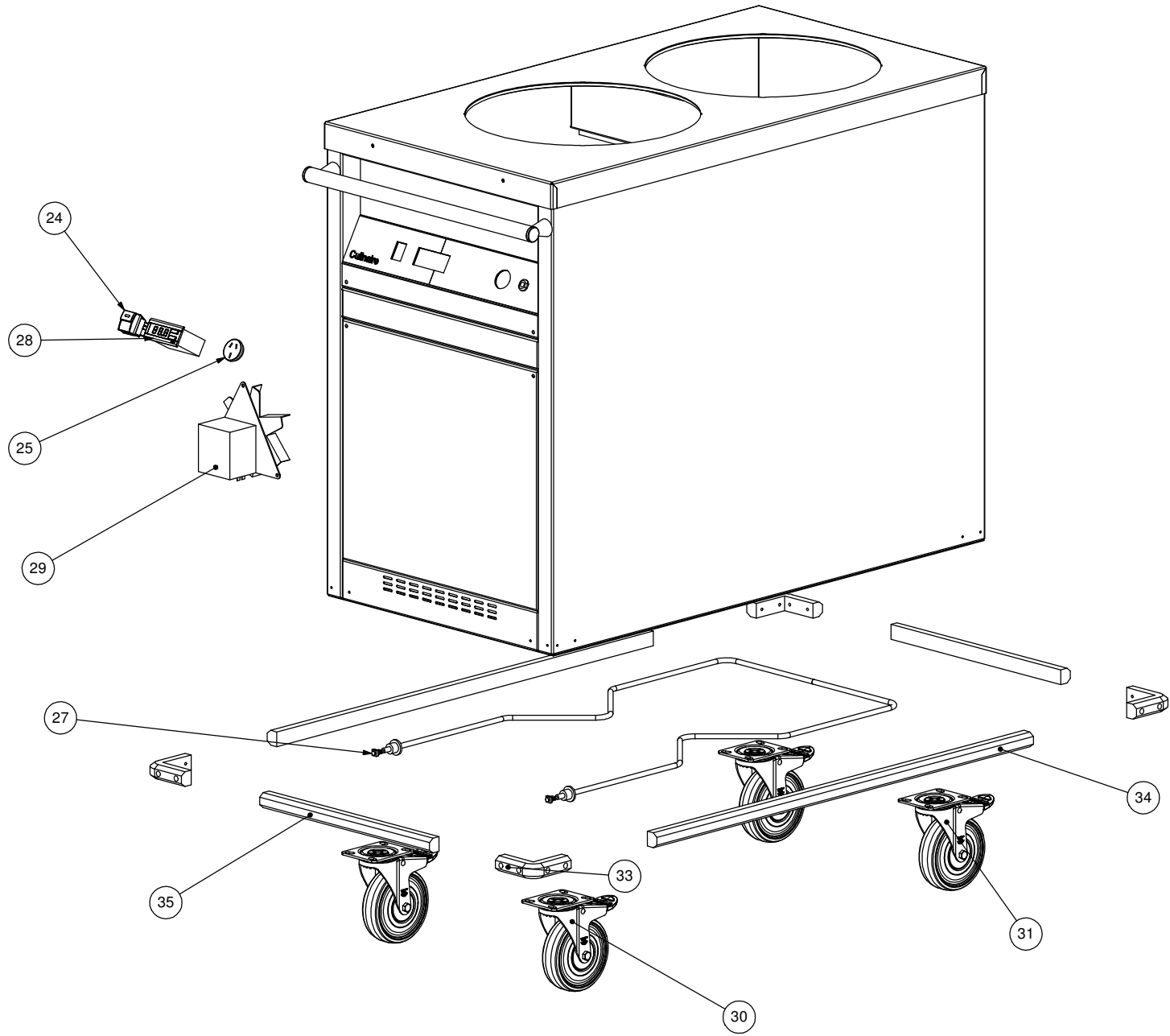


ITEM NO.	PART NUMBER	DESCRIPTION	Spare Parts/QTY.
24	CMEL-0668	Sonar Switch	1
25	CMEL-0411	Socket Outlet 10A	1
27	CMEL-0757	2000w Element	1
28	CMEL-0492	Dixell Controller	1
29	CMEL-0731	Oven Fan (R2K150-AC-03-25)	1
30	CMGE-0258	Castor 125mm Swivel Plate (Total Brake)	2
31	CMGE-0259	Castor 125mm Swivel Plate (Directional Lock)	2
33	CMGE-0020	Bumper Corner Interface	4
34	CMGE-0024	Bumper & Ali Channel - 867mm	2
35	CMGE-0024	Bumper & Ali Channel - 391mm	2
38	CUL-A007	Single Dixell Contactor	1




STODDART
 METAL FABRICATORS
 TOM STODDART Pty Ltd ACN 009 690 251
 215 Jackson Rd Sunnybank Hills Qld 4109
 PO Box 420 Sunnybank Qld 4109
 Phone (617) 3345 5011 Fax (617) 3344 1000
 Email sunnybank@stoddart.com.au
Quality in stainless steel

Press:	Programmed by:	Date:	Punch:	Die:									
PRODUCT: CPD2-HF Fan-Forced Heated Plate Dispenser PART No: CPD2-a001 DESCRIPTION: Spare Parts DWG No: CPD2 d001 REVISION: A													
<table border="1"> <tr> <th>NAME</th> <th>SIGNATURE</th> <th>DATE</th> </tr> <tr> <td>D Bowden</td> <td></td> <td>30/03/2006</td> </tr> <tr> <td>APPV'D</td> <td></td> <td></td> </tr> </table>	NAME	SIGNATURE	DATE	D Bowden		30/03/2006	APPV'D			UNLESS OTHERWISE SPECIFIED: DIMENSIONS ARE IN MILLIMETERS		MATERIAL: THICKNESS: FINISH:	
NAME	SIGNATURE	DATE											
D Bowden		30/03/2006											
APPV'D													
DO NOT SCALE DRAWING	This drawing remains the property of Tom Stoddart Pty Ltd & cannot be reproduced without prior permission.			A3 Sheet 3 of 28									