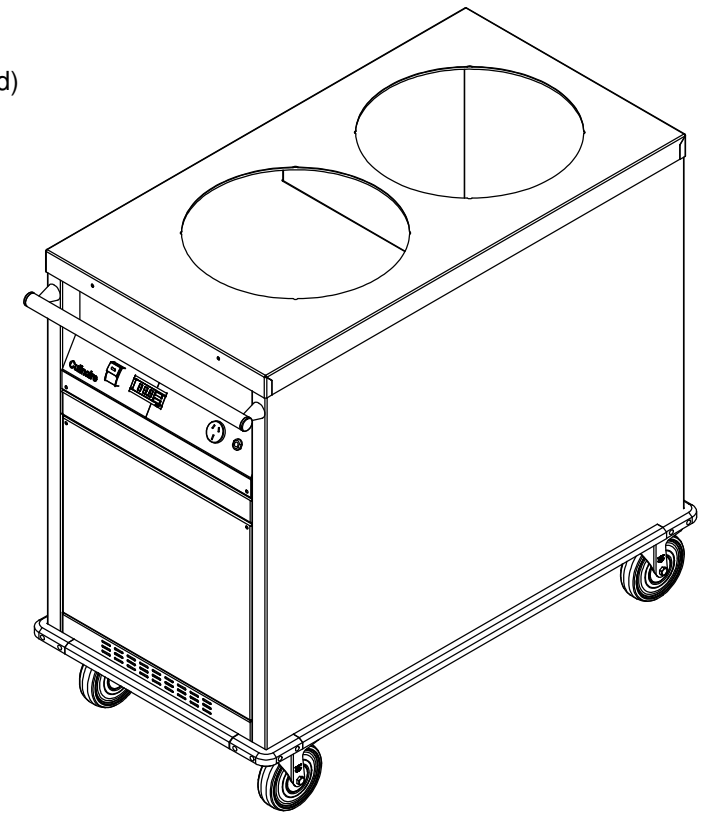
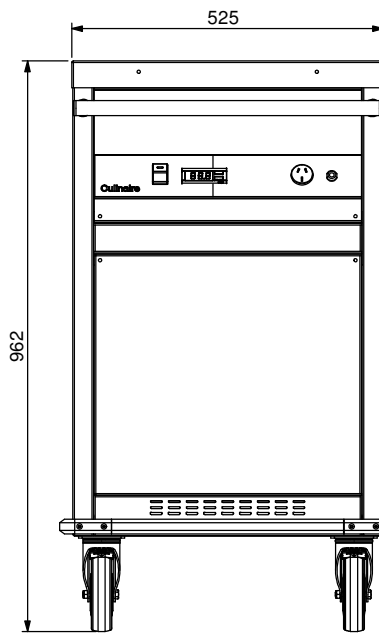
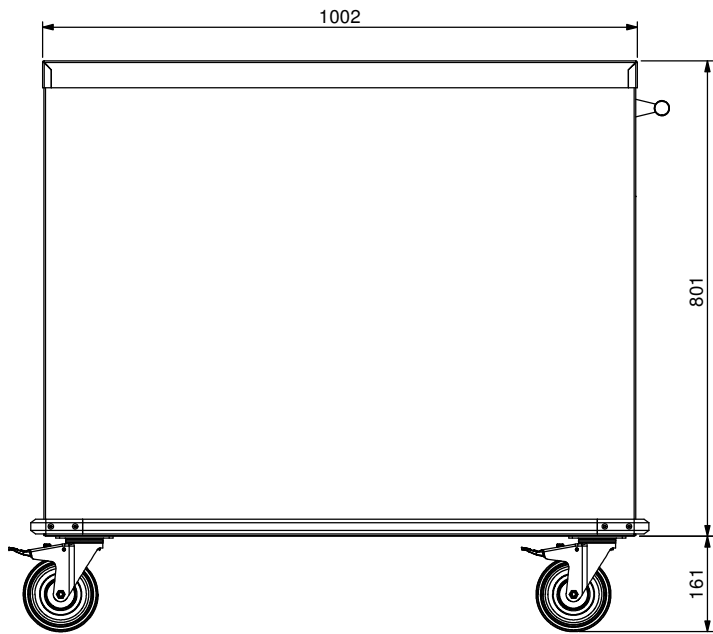
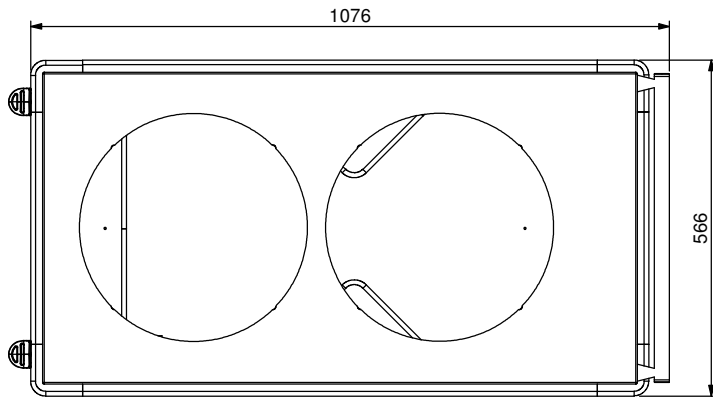


Product Details

Electrical Connection : 10 Amp Plug & Lead (supplied)
 Electrical Rating : 240v, 8.6amps, 2050w,
 : 1 element @ 2000w
 : 1 fan unit @ 50W
 Unit Controls : Switch for main power
 : Digital thermostat



Press:	Programmed by:	Date:	Punch:	Die:
--------	----------------	-------	--------	------

PRODUCT: CPD2-HF Fan-Forced Heated Plate Dispenser				PART No: CPD2-a001	
DRAWN	D Bowden	SIGNATURE	DATE	UNLESS OTHERWISE SPECIFIED: DIMENSIONS ARE IN MILLIMETERS	
APPV'D				DESCRIPTION: CPD2.HF (Fan Forced)	
			MATERIAL:		REVISION
			THICKNESS:		C
			FINISH:		
DWG No: CPD2 d001					
DO NOT SCALE DRAWING				This drawing remains the property of Tom Stoddart Pty Ltd & cannot be reproduced without prior permission.	
				A3	Sheet 1 of 28

STODDART
 METAL FABRICATORS
 TOM STODDART Pty Ltd ACN 009 690 251
 215 Jackson Rd Sunnybank Hills Qld 4109
 PO Box 420 Sunnybank Qld 4109
 Phone (617) 3345 5011 Fax (617) 3344 1000
 Email sunnybank@stoddart.com.au
Quality in stainless steel

REV.	NAME	DATE	DESCRIPTION
C	D Bowden	1/06/2006	Probe Holder Added & Front Top Panel Modified
B	D Bowden	30/03/2006	Vent holes added to electrical enclosure, control & access panel changed